



**GAS TILTING  
BRATT PANS**

**INSTRUCTION FOR INSTALLATION AND USE  
DIE GEBRAUCHS UND INSTALLATIONSANWEISUNG  
NOTICE D'INSTALLATION ET D'EMPLOI  
NÁVOD K OBSLUZE A INSTALACI  
UPUTSTVO ZA INSTALACIJU I UPOTREBU  
GHID DE INSTALARE SI UTILIZARE**



**BR 780 G, BR 780 G/N, BRM 780 G, BRM 780 G/N**

**CE**  
1015-22

[www.rmgastro.com](http://www.rmgastro.com)





## **CONTENT**

Declaration of a standards conformity	3
Instruction for use	9
Cleaning and maintenance	11

## **INHALT**



Die Normenübereinstimmungsdeklaration	12
Gebrauchsanweisung	19
Die Reinigung und Instandhaltung	21

## **CONTENU**



Déclaration de conformité	22
Mode d'emploi	29
Nettoyage et entretien	31

## **OBSAH**



Prohlášení o souladu s normami	38
Návod k použití	47
Čistění a údržba	49

## **SADRŽAJ**



Izjava o saglasnosti Sa normama	56
Uputstvo za upotrebu	64
Čišćenje i održavanje	66

## **CONȚINUT**



Declarație de conformitate cu regulile	71
Ghid de utilizare	78
Curățare și mentenanță	80

## DECLARATION OF A STANDARDS CONFORMITY

The producer confirms that the devices agree with 2016/426/EU, 2014/30/EU, 2014/35/EU standards, rule nr. 22/1997 sb., nr. 258/2000 sb., nr. 258/200 sb., nr. 118/2016 sb., 117/2016 sb. and with relevant government orders. Installation must be done with respect to valid standards. Attention, the producer refuses any responsibility in case of direct or indirect damages which are caused due to wrong installation, incorrect intervention or modification, insufficient maintenance, incorrect use and also possibly caused by other reasons presented by items in sale conditions. This appliance is set only for skilled use and must be operated by qualified persons only. Parts set and secured by the producer or accredited person must not be rebuilt by user.

### TECHNICAL DATA

Label with technical data is placed on the back side of the device. Study the electrical diagram of connection and all following information before installation.

Type of product	Bath tilting	Material of bath bottom	Volume (l)	Power (kW)	Dimensions (cm)
BR 780 G	manual	Fe	50	12	80x73x90 v
BR 780 G/N	manual	INOX	50	12	80x73x90 v
BRM 780 G	electric	Fe	50	12	80x73x90 v
BRM 780 G/N	electric	INOX	50	12	80x73x90 v

	9,45 kWh/m <sup>3</sup> G20 NATURAL GAS (20,25)mbar	8,12 kWh/m <sup>3</sup> G25 NATURAL GAS (20,25)mbar	12,68 kWh/kg G30 BUTAN (30)mbar	12,87 kWh/kg G31 PROPAN 37mbar
Nozzle of main burner 1/100mm	310	310	175	165
Nozzle of pilot burner 1/100mm	51	51	30	30
Nozzle overpressure - full power (mbar)	9	13,5	26	26
Air control setting (mm)	11	11	10	10
Gas consumption	1,27	1,477	0,946	0,932

## **PACKING AND DEVICE CHECK**

The device leaves our stocks properly packed with appropriate symbols and labels. There are also appropriate instructions for use. In case the packing shows bad handling or damage, it must be reclaimed at transporter immediately by writing and signing of a damage protocol.

Important notice:

-This product is only intended for use inside.

Never use the appliance if it has a damaged supply cable or plug, if it is not working correctly, has fallen to the ground and been damaged or fallen into water. In such cases take the appliance to a professional service in order to verify that it is safe and works correctly.

- only for professional use
- this instructing guide must be read properly and carefully because it contains important information about safety elements, installation, use
- these recommendations refer to this product
- this product corresponds with valid standards
- this guide must be properly deposited for future use
- keep the children away from manipulation with the product
- when selling or moving the product to another place it is necessary to make yourself sure that the staff or the professional service has got acquainted with control and installation instructions from enclosed guide
- only authorised person can operate the product
- it can not be switched on without supervision
- we recommend to have the product checked by professional service min. once a year

## **PLACEMENT**

The device must be installed in well ventilated room what is necessary for regulation of the function of the device (technician must go by valid standard (EN....)). If the device is situated close to the wall or if it is in contact with the furniture walls, these walls must resist the temperatures ranging to 90°C. Installation, setting, putting into operation must be done by qualified person who is competent for this and according to the valid standards.

Wrap up the device and check whether it was not damaged during transport. Settle the device on horizontal surface (max imbalance 2°). Settle the device under the fumehood to eliminate water steam and bad smell. The device can be installed separately or in a set with devices of our production. Min. distance 10 cm from other subjects must be kept. It is also necessary to prevent our product from contact with combustible materials. In this case you must make corresponding changes to secure heat isolation of combustible parts. Safety measures from the standpoint of the fire protection according to EN 061008čl. 21:

# TECHNICAL INSTRUCTIONS FOR INSTALLATION AND REGULATION

## Important:

The manufacturer does not provide warranty for defects caused by improper use, failure to instructions contained in the attached instructions for use and mistreatment of the appliances.

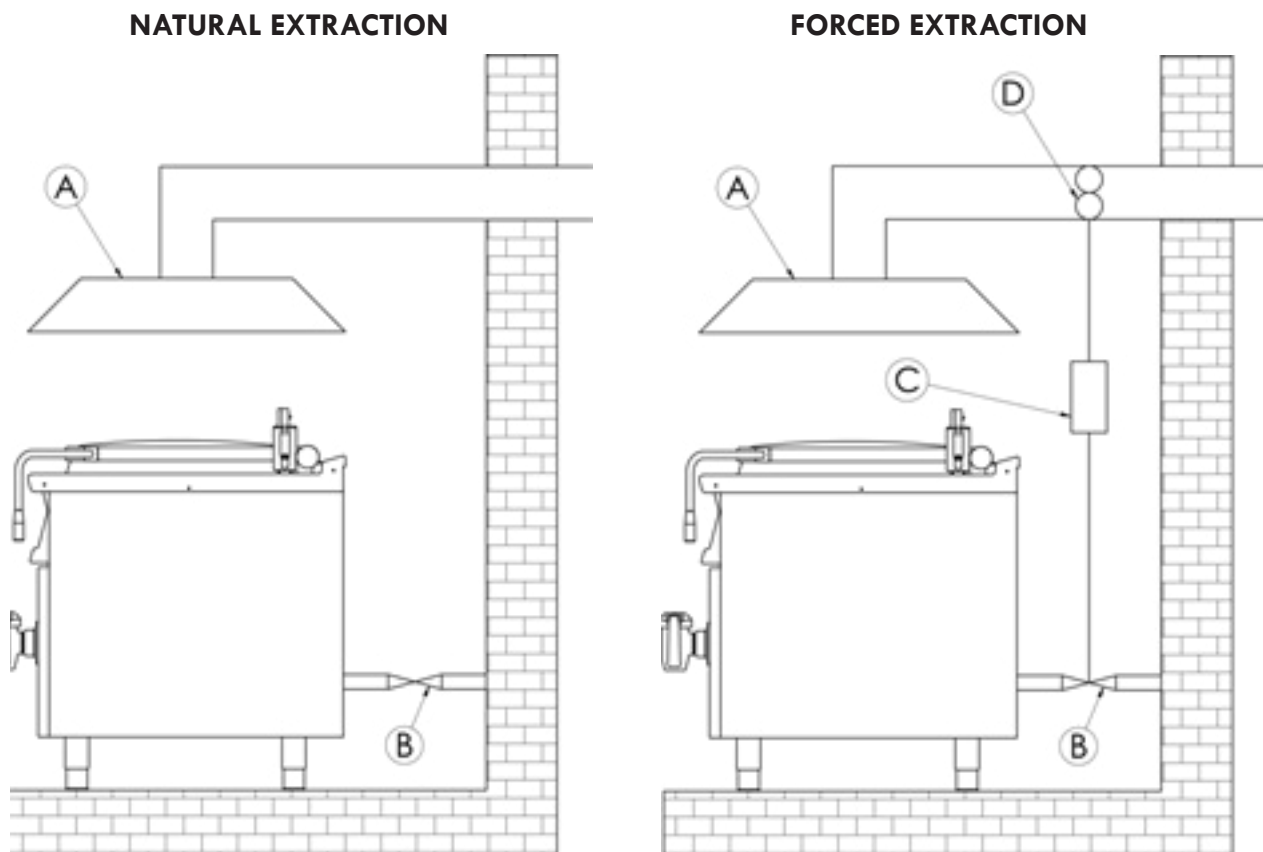
Installation, adjustment and repair of appliances for kitchens, as well as their removal because of possible damage to the gas can be carried out only under a maintenance contract, this contract may be signed with an authorized dealer, and must be complied with regulations and technical standards and regulations regarding the installation, power supply, gas connection and health & safety system.

These instructions are intended for the qualified technician who must perform the installation, put it into operation and test the appliance.

Any activity as settings, placement, rebalancing etc, must be made only when is device disconnected from electricity. If it is necessary to have the device connected to the electricity you must keep the highest attention to avoid any injuries.

## DEVICE INSTALLATION

### CHIMNEY DESIGN FOR AN APPLIANCE –TYPE A



Outlet hood with natural extraction (A). Flue gas provides a natural chimney draft.

Outlet hood without natural extraction. Flue gas is secured by a fan (D) (forced extraction). In this case, it is necessary to secure the connection with a gas feeder (B) to turn off the gas supply in case of failure.

## **SAFETY MEASURES FROM THE STANDPOINT OF THE FIRE PROTECTION ACCORDING TO EN 061008 ČL. 21**

- only adults can operate the device
- device must be safely used in common surroundings according to EN 332000-4-462; EN 332000-4-42. You must switch the gas device off under the circumstances leading: to the danger of the temporary rise of the combustion gas or steam or during works when there is a big possibility of rise of the temporary fire danger or explosion (for example: to stick linoleum, PVC etc.).
- before you start to instal the device you must get the licence for connection to the gas feeder from the gasworks
- device must be placed so as to stand or hang on the noncombustible surface which is on each side 10 cm larger than the device. No subjects from combustible materials can be placed directly on the device or in distance which is shorter than safety distance (the shortest distance is 50 cm in the direction of the heat emission and 10 cm in other directions).- safety distances from various materials of different degree of combustion and information about the degree of comb. of common building materials - see chart:

### **Chart:**

Combustion degree of building materials classified according to the combustion degree of materials and products (EN 730823)

A noncombustible	granit, sandstone, concretes,bricks, ceramic wallfacing tiles, plaster
B uneasily combustible	akumine, heraklite, lihnos, itavere
C1 hardly combustible	leafy wood, plywood, sirkoklit, rare paper formica
C2 middle combustible	fibreboards, solodure, cork boards, rubber,floor-coverings
C3 easily combustible	wood-fibreboards, polystyrene,polyurethane, PVC

Devices must be instalated in a safe way. When instaling you must respect corresponding project, safety and hygienic orders according to

### **CONNECTION OF THE ELECTRIC CABLE TO THE ELECTRICITY**

Instalation of electric feeder - This feeder must be separetely protected by a safety fuse according to the specific electric stream which depends on the wattage of the instaled device. Check the wattage on the label at the back of the device. Connect the device directly to the electricity but you must put the switch between the device and electric net. The switch must be placed in min. distance 3 mm between the particular contacts according to the standards and loading. The feeder of grounding (yellow-green) cannot be interrupted by this switch. In every case feeding cable must be placed so that no point of the cable will reach the temperature which is 50°C higher than the temperature of the surrounding. Before connecting the device check that:

- safety fuse of the feeder and inner mains can stand the loading of the device (see label of the matrix)
- mains are equipped with effective grounding according to standards (ČSN) and conditions given by law
- socket or switch of the feed is well accessible from device

We refuse any responsibility in case of not respecting above mentioned rules. Before the first use it is necessary to remove all the protection foil and to clean the device - see chapter „cleaning and maintenance“.

Maintenance: We recommend to have the device checked once a year by the proffesional service. Only qualified or competent persons can do interventions in the product.

## **WATER CONNECTION**

Water connection is performed with hose threaded G1/2. The water supply must be equipped with a separate valve which is freely available and within range of the device. The equipment includes a check valve.

- Water hardness must be in range 0,5 - 5 ° French degree.

**IF HIGHER, IT IS NECESSARY USE WATER SOFTENING SYSTEM.**

- Water pressure must be within range 50 - 250kPa.
- Volume of chlorine in the water shall not be higher than 10ppm, or you risk bath surface damage
- Acidity of water must be higher than 7 pH.
- Electrical conductivity: 50 - 2000uS/cm (20°C)
- The connection must be made according to directive EN 1717 and with valid to national directives for aquaculture.

## **PIPE FOR GAS CONNECTION**

It must first determine if the appliance is made for the same type of gas that will be used and thus conforms to the indications on the label the type of gas to be used.

The conversion of gas pan to another type of gas you need to check if it corresponds to the type of gas bearing, which is recommended in this guide.

Connecting the appliance to the gas distribution must be towable to a steel or copper tube complying with applicable national requirements. This must be controlled on regular basis and changed if needed. Every appliance must be equipped with shut-off valve and quick shut-off valve. Quick shut-off valve must be freely accessible and within reach of the device. After installation, is necessary to check whether there is a gas leak. To find a gas leak you can use soapy water or spray for gas leak detection.

Do not use corrosive substances!! All our appliances are carefully controlled. Gas type, pressure and of the categories listed named on the technical information plate.

### **Liquid gas connection:**

Pressure for liquid gas connection must be 28 or 30 mbar for propane/butane and 37 mbar for propane. It is necessary to check the technical label ,gauge the pressure and check the parameters of the nozzle is installed with the required parameters of the nozzle according to the manufacturer's. If the pressure is lower than 25mbar or higher than 37 mbar, THE APPLIANCE SHALL NOT TO BE CONNECTED.

### **Gas Connection:**

Pressure for methane connection must be 18 or 20 mbar. It is necessary to check the technical label ,gauge the pressure and check the parameters of the nozzle is installed with the required parameters of the nozzle according to the manufacturer's. If the gas pressure is lower than 15mbar or higher than 22,5 mbar, THE APPLIANCE SHALL NOT TO BE CONNECTED.

# MEASURES FOR THE REBUILDING AND INSTALLING A DIFFERENT TYPE OF GAS

Our appliances are certified and regulated the natural gas (see technical plate). Conversion or adaptation to a different type of gas must be performed by authorized personnel. Nozzles for different types of gas are in a bag provided with the pan and are marked in hundredths of mm (table of technical data pipes).

## **Nozzle replacement:**

For nozzle replacement, front panel must be removed. After release M5 bolt insert air regulation (Fig. 3, note 2), with wrench no.13 unscrew original nozzle (Fig.3, note 3) and screw back new nozzle. Then is necessary set new value for air regulation (Fig.3, dimension "A"). Dimensions for gas are shown in table of technical specifications for burners. Also is necessary get change nozzle of pilot burner (Fig.4, note 5).

With wrench no.10 you need disassembly pipe for pilot burner and eject out. The nozzle is located among last part of the pipe and pilot burner.

After the exchange and re-mounting supply pipes, it is necessary to check out the sealing of connections.

## **Pressure adjustment:**

Pressure is measured with a manometer with the required sensitivity. Connect manometer after unscrewing air sealed bolt into required location (Fig.5, note 8). Pressure adjustment screw is accessible after removing the cap (Fig.5, note 5). The pressure is set to the value given in the table of technical data burner (page 10). After the measurement is necessary to screw the bolt back and check the sealing.

## **Important:**

After what was done adjusting the appliance to another type of gas, it is necessary to change the gas indicated on the technical plate located in a visible location on the side of the device.

Commissioning and device check

- After connecting the device on the gas, water and electricity, the entire installation and operation of the device must be tested
- Particularly check the following: - Check that all connections have been made by the installation instructions presented - Check that are observed and complied with all applicable standards and health & safety regulations and legislation and guidelines - Check appliance for gas leak - Check tightness of inlet water - Check ignition burners - Check the stability of the flame - In case of change of equipment to another type of gas modify the identification gas tag which is located below the gas inlet.



# INSTRUCTION FOR USE

## **Attention!**

Before the first use of the appliance you must remove protection foil, wash the device and bath with water containing washing liquid and then dry with the cleaning cloth. Into the bottom of the bath spread a vegetable oil and begin burning procedure by 230° of Celsius. Before you start cooking, it is necessary make this burning procedure. The optimum is about 3–5 days use appliance as frying pan, and then for cooking. If pans washing was done by chemical substances, we recommend to use about 4-6 cycles as frying pan before you start cooking in it again. The device cannot be used under any circumstances as a fryer or its substitute

## **Ignition the main burner:**

With lighter:

Slide the door on the left front panel and turn gas valve control knob to the ignition position (Fig.2, note 3 and Fig.6) and keep it pressed. Press the piezo lighter button couple of times. After burner ignition, keep this button pressed for few second (about 10-20 sec.) until is the thermo fuse warmed up, then release button. If the flame goes out, repeat the whole procedure again.

## **With electric burning:**

Slide the door on the left front panel and turn gas valve control knob to the ignition position (Fig.2, note 3 and Fig.6) and keep it pressed. Flame will ignite automatically. After burner ignition, keep this button pressed for few second (about 10-20 sec.) until is the thermo fuse warmed up, then release button. If the flame goes out, repeat the whole procedure again.

## **Ignition of the main burner and thermo regulation**

Turn gas valve control knob to the ignition position (Fig.6) and set button of thermostat to required temperature. Main burner will ignite.

## **Switching off of the main burner**

The main burner is possible switch off with turning thermostat button to "0" position, or turning the gas valve control knob to ignition position. Main burner will go out, but pilot burner keeps working.

## **Switching off the whole device**

Set the gas valve control knob to position off. At this moment all burners goes out.

## **Filling water to the bath**

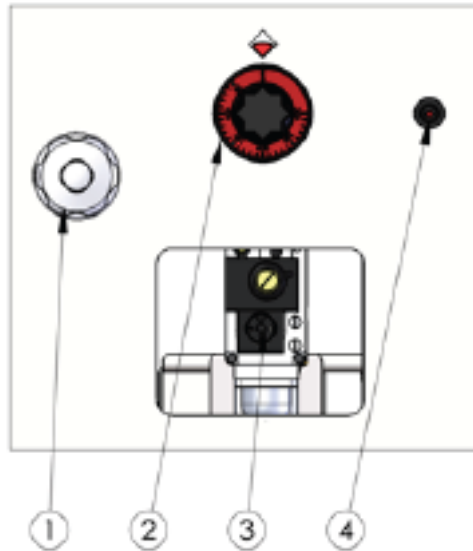
Open valve for water filling and when achieve required volume of the water, simply close it. Water fills up only when the lid of the bath is open.

## **Draining of the bath**

Tilt the bath to required position for her drain with help of the manipulation handle. Attention! Before you start draining of the bath, attach under overflow suitable container. Keep maximum attention if you will be manipulating with boiling content. After successful bath draining, return it back to operation position.

## **ATTENTION!**

When tilting the bath, main burner goes out, but automatically starting when returning bath into operation position. Because of this, make sure before you start draining of the bath, that main burner is switched off.

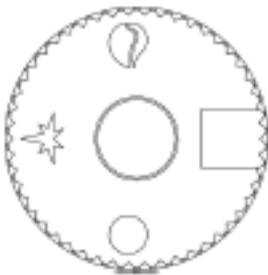


1 – water filling

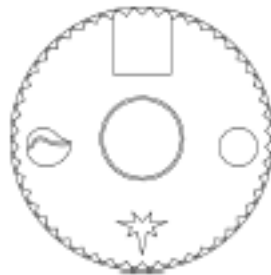
2 – Thermostat control knob

3 – gas valve control knob

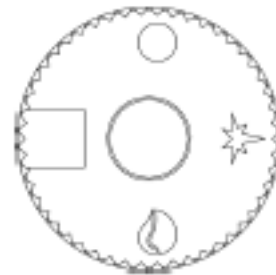
4 – piezo lighter button



Switched off position



Ignition position



Ignition position for main burner

## SYSTEM OF BATH TILTING

For manual tilting follow the instructions bellow:

System of bath tilting

For manual tilting follow the instructions bellow:

- 1) Under overflow put suitable and heatproof container
- 2) Make sure, that you let cool down content after frying
- 3) On the control wheel, tilt manipulating handle
- 4) for lifting up and draining, circle with control wheel to right, to bring the bath back into operation position, circle with control wheel to left
- 5) Try to do lifting up and draining of the bath as smooth as possible to avoid excess vibrating of the bath

Never pour oil off the bath at frying temperature. Keep maximum attention while manipulating the bath and its content, some components of the bath could be very hot even the content was cooled.

When you do electric tilting, observe the above warnings and use this button instead of handles. Lift up pan with up arrow, with down arrow return pan to the basic position

## CLEANING

### ATTENTION!

The device cannot be cleaned by direct or pressure water. Clean it daily. Daily maintenance keeps longer useful life and efficiency of the device. Before cleaning make sure to have disconnected the device from electricity. Always switch off the main feeder to the device. Stainless steel parts wash with moist cleaning cloth and detergent without groove parts, then dry it with the cloth. Do not use abrasive and corrosive detergents; do not splash it with running water. Do not try to remove the Dark thin layer on the bottom of the bath, it does creating protective layer of the surface. After washing treat bottom of the bath with vegetable oil. When all cleaning procedures finished, return all back in to basic position. In the case of longer time of appliance unused, leave the lid open to maintain airflow.

- In case of outage:

- Immediately shut down water inlet, gas feeder and disconnect from electricity

- **In case of longer outage, we recommend clean the bath and mothball the bottom bath with oil** Mainte

### MAINTENANCE AND PRODUCT WARRANTY

By prolonged use of the appliance, it is necessary maintain regular maintenance for safe use, we strongly recommend sign contract with technical service. Maintenance can be provided only with qualified technician following updated directives, laws and instructions from this manual. We recommend having the appliance serviced by professional service at least once in 6 month, in extreme use of the appliance once in 3 months. Preventive inspections can prevent serious problems and thereby reduce the economic burden of operations.

### ATTENTION

Warranty does not cover all consumption parts succumb able to wear (rubber, seals, bulbs, glass and plastic parts etc.) Also guarantee does not refer to the devices which were not installed in correspondence with instructions, tampering or violation the rules of use. Damages caused due to influence of nature or other outer intervention is not covered by our warranty policy too.

### In case of breakdown:

Shut off the gas feeder immediately, disconnect from electricity and call professional service organisation. By prolonged outage shut off main gas valve.

**The manufacturer assumes no responsibility for injury or property damage arising from failure to comply with health& safety regulations or to use the device for purposes other than intended.**

### Instructions for disposal:

Our product's packing is made on non-polluting materials, therefore compatible with the environment and recyclable. Please help by disposing of the packing correctly. Find the addresses of collection, recycling and disposal centre from your retailer or from the competent local organization. Do not throw the packing or any part of it away. They can constitute a suffocation hazard for children.

Your old appliance also needs to be disposed off correctly. Hand over your appliance to the local agency authorized for the collection of electric or gas appliances no longer in use. Correct disposal means intelligent recycling of valuable materials. It is also necessary to cut the interconnecting cable to the power supply network, removing it along with the plug.

## DIE NORMENÜBEREINSTIMMUNGSDEKLARATION

Der Produzent erklärt, daß die Geräte in einer Übereinstimmung mit den Vorschriften der 2009/142/ES, 2014/30/ES, 2014/35/ES dem Gesetz Nr. 22/1997 sb., nr. 258/2000 sb., nr. 38/2001 sb., nr. 616/2006 sb., 17/2003 sb. der Sammlung und zugehörigen Regierungsverordnungen stehen. Die Installation muss mit der Absicht auf geltende Normen durchgeführt werden. Vorsicht, im Falle einer direkten oder indirekten Beschädigung, die sich auf falsche Installation, unrichtigen Eingriff oder Anpassungen, ungenügende Instandhaltung, unrichtige Verwendung beziehen, und welche eventuell durch andere Ursachen, als in Punkten der Verkaufsbedingungen angeführt ist, so verzichtet der Importeur auf jegliche Verantwortung. Dieses Gerät ist nur für fachliche Verwendung bestimmt und muß durch qualifizierte Person bedient werden. Teile, die nach der Einstellung durch den Hersteller oder durch befugte Person gesichert wurden, dürfen vom Benutzer keineswegs umgestellt werden.

### DIE TECHNISCHEN DATEN

Das Schild mit technischen Angaben ist auf der Rückseite des Gerätes angebracht. Studieren sie vor der Installation das elektrische Schema der Einschließung und alle folgende Informationen durch.

Type	Bad kippen	Material von bad grund	Volumen (l)	Macht (kW)	Größe (cm)
BR 780 G	manual	Fe	50	12	80x73x90 v
BR 780 G/N	manual	INOX	50	12	80x73x90 v
BRM 780 G	electric	Fe	50	12	80x73x90 v
BRM 780 G/N	electric	INOX	50	12	80x73x90 v

	9,45 kWh/m <sup>3</sup> G20 NATURAL GAS (20,25)mbar	8,12 kWh/m <sup>3</sup> G25 NATURAL GAS (20,25)mbar	12,68 kWh/kg G30 BUTAN (30)mbar	12,87 kWh/kg G31 PROPAN 37mbar
Düse des Hauptbrenners 1/100mm	310	310	175	165
Düse des Zündbrenners 1/100mm	51	51	30	30
Düsenüberdruck - volle Leistung (mbar)	9	13,5	26	26
Einstellung der Luftregu- lierung (mm)	11	11	10	10
Gasverbrauch	1,27	1,477	0,946	0,932

## **DIE VERPACKUNGS-, UND VORRICHTUNGSKONTROLLE**

Die Vorrichtung verlässt unsere Lager in ordentlicher Verpackung, auf deren die entsprechenden Symbole und Bezeichnungen stehen. In der Verpackung befindet sich entsprechende Bedienungsanweisung. Falls die Verpackung eine schlechte Behandlung oder Anzeichen der Beschädigungen vorweist, muß dieses sofort beim Transporteur reklamiert werden und zwar durch Unterzeichnung eines Schadensprotokolles.

### **Wichtige Hinweise**

-Das Erzeugnis ist nur zur Verwendung im Innenraum bestimmt.

Verwenden Sie den Verbraucher nie, wenn die Speisezuleitung oder der Stecker beschädigt sind, das Gerät nicht richtig arbeitet, ist auf den Boden gefallen und hat sich beschädigt oder ist ins Wasser gefallen. Bringen Sie in solchen Fällen den Verbraucher zu einem Fach-Kundendienst zur Überprüfung seiner Sicherheit und richtiger Funktion.

- Nur für professionellen Verbrauch geeignet
- Diese Bedienungsanleitung muss ordentlich und bedächtig gelesen werden, weil sie wichtige Informationen über Sicherheitsmerkmale, Installation und Anwendung beinhaltet
- Diese Empfehlungen beziehen auf diesen Produkt
- Der Produkt entspricht geltenden Normen
- Diese Anleitung muß ordentlich für die zukünftige Verwendung hinterlegt werden
- Hindern Sie den Kinder an Vorrichtungsm Manipulation
- Beim Verkauf oder Verlegung ist es notwendig sich zu überzeugen, daß die Bedienstperson oder Fachservis sich mit der Beherrschung und Installationsanweisung in beiliegender Anleitung, anvertraut gemacht haben.
- Das Produkt darf nur eingeschulte Bedienung bedienen
- Das Produkt darf nicht ohne Aufsicht ins Betrieb gesetzt sein
- Es ist empfohlen, minimal einmal pro Jahr eine Fachkontrolle durchführen zu lassen
- Bei eventueller Reparatur der Teilenumtauschungen müssen ausschließlich Originalteile angewendet werden
- Das Produkt darf nicht durch einen Wasserstrahl oder Druckbrause gereinigt werden
- Schalten Sie alle Leitungen (Wasser, Elektrizität, Gas) bei einer Störung oder beim schlechten Lauf aus und rufen Sie autorisierten Service an

## **DIE PLATZIERUNG**

Es ist unbedingt notwendig, zu der Regulation der Gerätetätigkeit, daß das Milieu - der Küche -, wo das Gerät installiert wird, sehr gut belüftbar ist (im Hinblick darauf: sei der Techniker sich mit geltenden Normen (EN) richtet). Wenn die Einrichtung so plaziert wird, daß sie im Mobiliarwandkontakt stehen wird, so müssen diese einer Temperatur von 90°C widerstehen. Die Installation, Herrichtung, Inbetriebnahme müssen durch qualifizierte Person, die zu solchen Vorkehrungen eine Befugnis hat und dies laut geltenden Normen nach, durchgeführt werden.

Packen Sie das Gerät aus und kontrollieren Sie, ob sich das Gerät während des Transportes nicht beschädigt hat. Platzieren Sie das Gerät auf eine waagrechte Fläche (maximale Unebenheit bis 2°). Stellen Sie das Gerät unter den Haubenabzug, damit Sie die Wasserdämpfe und den Geruch eliminieren. Das Gerät kann selbständig oder in einer Reihe mit Geräten unserer Herrstellung installiert werden. Es ist notwendig die minimale Entfernung von 10 cm zu anderen Gegenständen einzuhalten, so dass die Wärmeisolierung der brennbaren Teilen gewährleistet wird.

Das Gerät kann selbständig oder in einer Reihe mit Geräten unserer Herrstellung installiert werden. Es ist notwendig die minimale Entfernung von 10 cm zu anderen Gegenständen einzuhalten, so dass die Wärmeisolierung der brennbaren Teilen gewährleistet wird.

## **TECHNISCHE HINWEISE ZUR INSTALLATION UND REGELUNG**

### **Wichtig:**

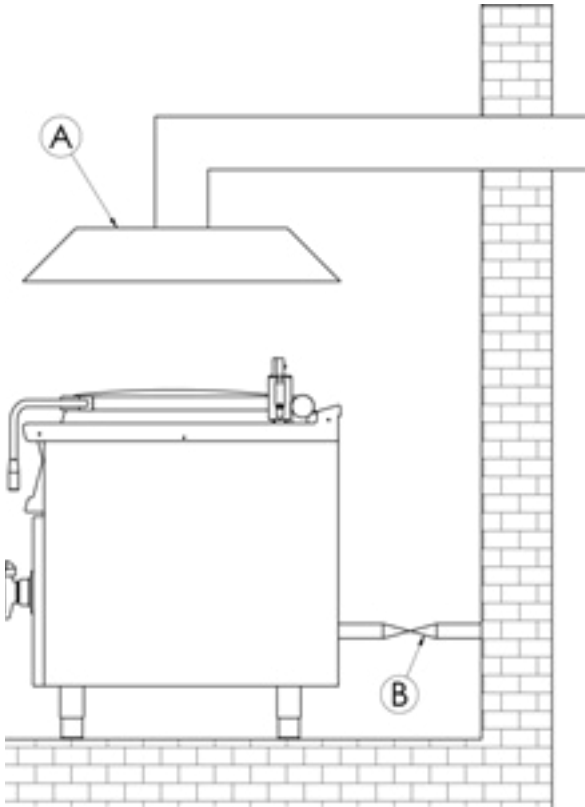
Zur Benützung AUSSCHLIEßLICH nur für spezialisierte Techniker  
Instruktionen, die folgen, wenden sich an den Techniker, der für die Installation qualifiziert ist, damit er alle Operationen mit der korrektesten Weise und laut der gültigen Normen durchführt.

### **Wichtig**

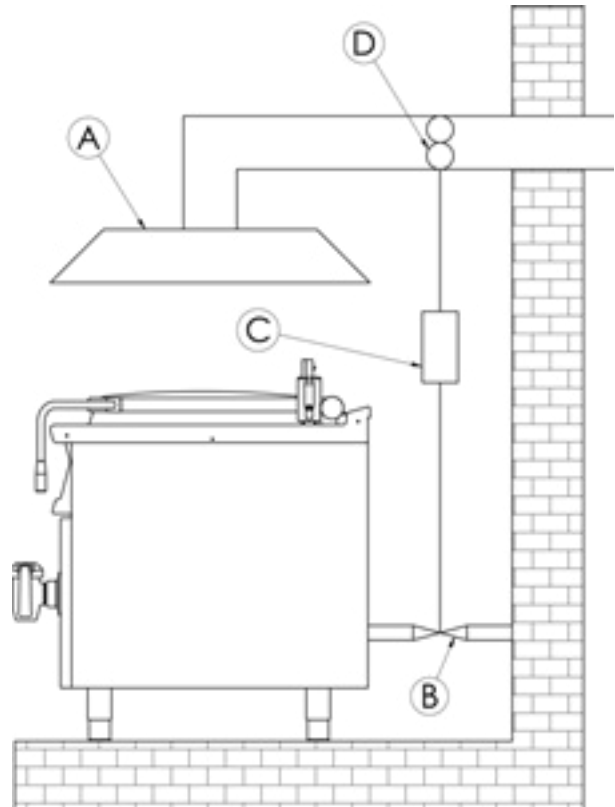
Jeweils irgendeine Tätigkeit, die mit der Regulation verbunden ist u.ä, muß nur mit der aus dem Netz ausgezogenen und abgeschalteten Einrichtung vollgezogen sein.  
Solange das Gerät unter der Spannung notwendig zu halten ist, eine höchste Vorsicht zu beachten vorliegt.

# KAMIN-DESIGN FÜR EIN GERÄT VOM TYP A

## NATURAL EXTRACTION



## ABSAUGANLAGE



Outlet Kapuze mit natürlichen Extraktion (A). Rauchgas sorgt für einen natürlichen Kaminzug.

Outlet Haube ohne natürliche Extraktion. Rauchgas wird durch einen Ventilator (D) (erzwungene Extraktion) gesichert. In diesem Fall ist es erforderlich, die Verbindung mit einer Gaszuführung (B), um die Gaszufuhr bei Ausfall zu sichern.

# DIE SICHERHEITSVORRICHTUNGEN AUS DER SICHT DES FEUERSCHUTZES LAUT EN. 061008 ČL. 21

Die Einrichtungsbedienung dürfen nur Erwachsene ausführen

- Das Gerät darf sicher in gewöhnlicher Umgebung laut EN 332000-4-482; EN 332000-4-42 verwendet werden.
- Es ist notwendig das Gerät so platzieren, daß es auf einer unbrennbaren Grundlage steht oder hängt.
- Es dürfen, auf und in eine Entfernung, die kleineremase als sicher vom Gerät bezeichnet wird, keine Gegenstände aus brennbaren Materilien (die kleinste Entfernung vom Brennbarem ist 10 cm) aufgestellt werden.
- Die sicheren Entfernungen von Massen der einzelnen Brenngra

## **Tabelle:**

Baumassefeuerbrenngrad ins Brenngrad (EN) der Massen und Produkte eingegliedert

A	Unbrennbar	Granit, Sandstein, beton, Ziegel, Keramikbekleidung, Putz
B	nicht einfach brennbar	Akumin, Heraklit, Lihnos, Itaver
C1	schwer brennbar	Holz, Laubbaum, Furnier Sirkoklit, Festpapier, Umakart
C2	mittel brennbar	Holzspanplatten, Solodur, Korkplatten, Hartgummi, Bodenbeläge
C3	leicht brennbar	Holzfasерplatten, Polystyren, Polyureten, PVC

Die Bedarfsartikel müssen sicher installiert werden und sind mit regulierenbaren Beinchen - zur Ausgleichen der Höhe und der Unebenheiten eingestattet.

Die Geräte müssen in einer sicheren Weise installiert werden. Bei der Installation müssen weiter betreffende Projekt-, Sicherheits-, und Hygienevorschriften respektiert werden.

- EN 06 1008 Feuerschutz der örtlichen Geräte und der Wärmquellen
  - EN 33 2000 (33 2000-4-482; 33 2000-4-42) Umgebung für elektrische Geräte
- Gasversorgung -Gasleitunge in Gebäuden - Höchste Verkehrsdruck ≤ 5 BarVerkehrsansprüche,
- § 10 des Gesetzes Nr.185/2001 Sb., der Abfälle betrifft.

## **DER ELEKTRISCHE KABELNETZANSCHLUSS**

Die Installation der elektrischen Ankupplung - Diese Zuleitung muß selbstständig gesichert werden. Und das durch entsprechende Sicherung des Nennstromes in der Abhängigkeit am Anschlußwert des installierten Gerätes. Kontrollieren sie den Anschlußwert des Apparates auf dem Produktionsschild im Hinterteil des Gerätes. Schließen Sie das Gerät direkt ans Netz an.

Es ist unbedingt notwendig zwischen das Gerät und das Netz einen Schalter zu legen, der eine minimale Entfernung von 3mm unter den Einzelkontakten aufweist und der auch den geltenden Normen und Belastungen entspricht. Die Erdungszuleitung (gelbgrün) darf nicht durch diesen Schalter unterbrochen sein.

Der Zuleitungskabel muß in jedem Fall so angebracht sein, dass er in keinem Punkt einer um 50°C höherer Temperatur als Umgebungstemperatur nicht erreicht. Eher das Gerät ans Netz angeschlossen wird, versichern Sie sich, dass:

- die Zuleitungssicherung und die Innenscheidung die Einrichtungsbelastung ertragen (siehe Matriceschild),
- die Verteilung mit wirksamer Erdung laut Normen (EN) und Gesetzbedingungen ausgestattet ist

**WIR VERZICHTEN AUF JEGLICHE VERANTWORTUNG IM FALLE, DASS DIESE NORMEN NICHT RESPEKTIERT WERDEN UND IM FALLE DER NICHTEINHALTUNG DER OBENERWÄHNTER GRUNDSÄTZE.**

Es ist notwendig die Schutzfolie vor der ersten Benützung zu beseitigen, sowie das Gerät zu reinigen siehe das Kapitel „Reinigung und Instandhaltung“.



16  
-Führen Sie den Stecker der Speisezuleitung in die el. Steckdose und ziehen ihn aus der el. Steckdose mit nassen Händen und durch Ziehen der Speisezuleitung nicht!



## WASSERANSCHLUSS

Der Wasseranschluss erfolgt mit Hilfe eines Schlauchs mit einem Gewinde G1/2. Der Anschluss erfolgt nach dem Abnehmen der vorderen Platte (Abb. 1). Die Wasserzufuhr ist mit einem eigenständigen Hahn zu besetzen, der frei zugänglich und in Reichweite der Anlage ist. Bestandteil der Anlage ist ein Rückschlagventil.

- Die Wasserhärte muss im Bereich von 0,5 – 5 ° französische Grade liegen.

**OBERHALB DIESES WERTES IST EIN WEICHMACHER ZU VERWENDEN.**

- Der Wasserdruck muss im Bereich von 50 – 250 kPa liegen.
- Der Chlorgehalt im Wasser darf nicht höher als 10 ppm sein, andernfalls droht eine Beschädigung der Wannenoberfläche.
- Der Säuregehalt des Wassers muss über 7 pH liegen.
- Elektrische Leitfähigkeit: 50 – 2000 uS/cm (20 °C)
- Der Anschluss muss im Einklang mit EN 1717 sowie mit den geltenden nationalen Wasserwirtschaftsvorschriften stehen.

## ROHR FÜR GASANSCHLÜSSEN

Es muss zuerst feststellen, ob das Gerät für die gleiche Art von Gas, das verwendet werden soll, wird und entspricht damit den auf dem Etikett die Art des Gases verwendet werden.

Die Umwandlung von Gas Pflanze auf eine andere Gasart müssen Sie überprüfen, ob es auf die Art der Gas-Lager, die in diesem Handbuch empfohlen wird, entspricht.

Anschließen des Gerätes an die Gasversorgung muss Anhängelast auf einer Stahl-oder Kupferrohr Beachtung der geltenden nationalen Anforderungen. Dies muss regelmäßig kontrolliert werden und bei Bedarf geändert. Jedes Gerät muss mit Absperrventil und schnelle Absperrventil ausgestattet sein. Schnell-Absperrventil muss frei zugänglich sein und innerhalb der Reichweite des Gerätes. Nach der Installation ist zu prüfen, ob es ein Gas austritt. Um ein Gasleck Sie Seifenwasser oder Spray zur Lecksuche können zu finden.

Verwenden Sie keine ätzenden Stoffen! Alle unsere Geräte werden sorgfältig kontrolliert. Gasart, Druck und der Kategorien auf der technischen Informationen Platte benannt.

### Flüssiggas-Anschluss:

Der Druck für Flüssiggas-Verbindung muss 28 oder 30 mbar für Propan / Butan und 37 mbar für Propan sein. Es ist notwendig, um die technische Etikett überprüfen, messen den Druck und Kontrolle der Parameter der Düse wird mit den erforderlichen Parametern der Düse gemäß der Herstellerangaben installiert. Ist der Druck niedriger als 25mbar oder höher als 37 mbar, darf das Gerät nicht ANZUSCHLIESSEN.

### Gas-Anschluss:

Der Druck für die Methan-Anschluss muss 18 oder 20 mbar betragen. Es ist notwendig, um die technische Etikett überprüfen, messen den Druck und Kontrolle der Parameter der Düse wird mit den erforderlichen Parametern der Düse gemäß der Herstellerangaben installiert. Wenn der Gasdruck niedriger ist als 15 mbar oder höher als 22,5 mbar, darf das Gerät nicht ANZUSCHLIESSEN.

# MASSNAHMEN FÜR DEN UMBAU UND DIE INSTALLATION AUF EINE ANDERE GASSORTE

Unsere Geräte sind für Erdgas zertifiziert und reguliert (siehe Typenschild). Ein Umbau oder eine Anpassung auf einen anderen Gastyp hat lediglich durch einen berechtigten Techniker zu erfolgen. Die Düsen für die unterschiedlichen Gastypen finden sich in der der Pfanne beigelegten Tüte und sind in Hundertstel mm gekennzeichnet (Tabelle der technischen Daten der Brenner).

## **Austausch der Düse:**

Für einen Austausch der Düse ist die vordere Platte abzumontieren, nach dem Lösen der Schraube M5 die Luftregelung (Abb. 3, Pos. 2) einzuschieben und mit dem Schlüssel 13 die ursprüngliche Düse (Abb. 3, Pos. 3) herauszuschrauben und die neue anzuschrauben. Danach ist die Luftregelung auf den neuen Wert (Abb. 3, Maß „A“) einzustellen. Die Maße für das entsprechende Gas sind in der Tabelle der technischen Daten der Brenner angegeben.

Ferner ist die Düse des Pilotbrenners (Abb. 4, Pos. 5) auszutauschen. Mit dem Schlüssel 10 wird das Zuleitungsrohr zum Pilotbrenner abmontiert und herausgeschoben. Zwischen dem Ende des Rohrs und dem Pilotbrenner ist die Düse untergebracht. Nach ihrem Austausch und dem Zurückmontieren des Zuleitungsrohrs ist die Dichte der Verbindung zu kontrollieren.

## **Einrichten des Drucks:**

Der Druck wird mit einem Druckmesser mit der erforderlichen Empfindlichkeit gemessen. Der Druckmesser wird nach dem Abschrauben der Schraube mit dem luftdichten Abschluss an die entsprechende Stelle (Abb. 5, Pos. 8) angeschlossen. Die Stellschraube des Drucks ist nach der Demontage der Abdeckung (Abb. 5, Pos. 5) zugänglich. Der Druck wird auf den in der Tabelle der technischen Daten der Brenner (S. 10) angegebenen Wert eingestellt. Nach Abschluss der Messung ist die Schraube zurückzuschrauben und deren Dichte zu kontrollieren.

## **Wichtig:**

Nachdem die Einrichtung des Geräts auf einen anderen Gastyp erfolgt ist, ist die Änderung des Gases auf dem Schild des Geräts zu kennzeichnen.

Inbetriebnahme und Kontrolle des Betriebs:

- nach dem Anschluss des Geräts an die Zufuhr ist das Gerät, die gesamte Installation und der Betrieb des Geräts zu überprüfen

## **insbesondere ist zu kontrollieren:**

- kontrollieren, dass alle Anschlüsse entsprechend der beiliegenden Installationsanleitung erfolgten
- kontrollieren, ob alle geltenden Normen und Sicherheitsvorschriften sowie die gesetzlichen Vorschriften und Richtlinien eingehalten und erfüllt wurden
- die Geräte wegen einer Gasleckage kontrollieren
- die Dichte der Wasserzufuhr kontrollieren
- das Anzünden der Brenner kontrollieren
- die Beständigkeit des Brennens der Flamme kontrollieren
- Im Fall einer Änderung der Anlage auf eine andere Gassorte das Gasidentifikationsschild, das stets unter der Gaszufuhr (Abb. 1 G) angebracht ist, ändern

# GEBRAUCHSANWEISUNG

## **Achtung!**

Bevor Sie beginnen, das Gerät zu verwenden, ist von der gesamten Oberfläche die Schutzfolie vom Edelstahlblech zu entfernen und dieses dann gründlich mit Geschirrspülwasser einschließlich der Wanne zu waschen und danach mit einem in reinem Wasser angefeuchteten Lappen abzureiben. Reiben Sie die Wanne mit einem Geschirrtuch trocken, bestreichen Sie den Boden der Wanne mit Tafelöl und nehmen Sie das Ausbrennen des Bodens bei einer Temperatur von 230 °C vor. Vor dem Kochen sind das Einbraten des Bodens und dessen Einziehen vorzunehmen. Optimal ist es, ca. 3 bis 5 Tage in der Pfanne zu braten und sie erst danach zum Kochen zu benutzen. Sofern die Pfanne chemisch gereinigt wurde, ist es günstig, vor dem Kochen erneut ca. 4 bis 6 Bratzyklen vorzunehmen. Das Gerät darf unter keinen Umständen als Fritteuse oder deren Ersatz verwendet werden!

## **Anzünden des Hauptbrenners**

Ausführung mit einem Piezozünder

Schieben Sie die Klappe links nach unten auf die vordere Platte und drehen Sie den Bedienknopf des Gasventils in die Position Zünden (Abb. 2, Pos. 3 und Abb. 6) und halten Sie ihn gedrückt. Drücken Sie mehrmals den Knopf des Piezozünder. Nach dem Anzünden des Brenners halten Sie den Knopf noch einige Sekunden (ca. 10 - 20 Sekunden) gedrückt, bis sich die Thermosicherung erhitzt, danach lassen Sie den Knopf los. Wenn die Flamme erlischt, wiederholen Sie das gesamte Vorgehen.

## **Ausführung mit einer elektrischen Zündung**

Schieben Sie die Klappe links nach unten auf die vordere Tafel und drehen Sie den Bedienknopf des Gasventils in die Position Zünden (Abb. 2, Pos. 3 und Abb. 6) und halten Sie ihn gedrückt. Die Flamme zündet sich automatisch an. Nach dem Anzünden des Brenners halten Sie den Knopf noch einige Sekunden (ca. 10 - 20 Sekunden) gedrückt, bis sich die Thermosicherung erhitzt, danach lassen Sie den Knopf los. Wenn die Flamme erlischt, wiederholen Sie das gesamte Vorgehen.

## **Anzünden des Hauptbrenners und Regelung der Temperatur**

Drehen Sie den Bedienknopf des Gasventils in die Position für das Anzünden des Hauptbrenners (Abb. 6) und stellen Sie auf dem Regelknopf des Arbeitsthermostats die gewünschte Temperatur ein. Es kommt zum Anzünden des Hauptbrenners.

## **Ausschalten des Hauptbrenners**

Der Hauptbrenner kann entweder durch Einstellen des Regelknopfes des Arbeitsthermostats auf "0" oder durch Drehen des Bedienknopfes des Gasventils in die Position für das Anzünden ausgeschaltet werden. Der Hauptbrenner erlischt stets und lediglich der Pilotbrenner brennt weiter.

## **Ausschalten des gesamten Geräts**

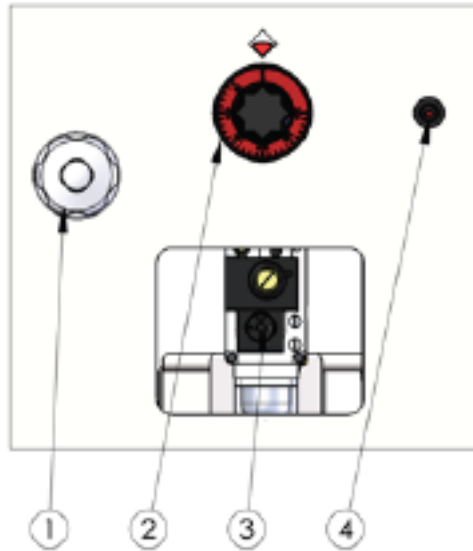
Stellen Sie den Bedienknopf des Gasventils in die Position aus. Es kommt zum Erlöschen aller Brenner.

## **Einlassen von Wasser in die Wanne**

Öffnen Sie den Hahn für das Einlassen der Wanne und schließen Sie diesen nach dem Einlassen der benötigten Menge wieder. Lassen Sie das Wasser lediglich bei geöffnetem Wannendeckel ein.

## **Auslassen der Wannenfällung**

Mit Hilfe des Bedienungsrad kippen Sie die Pfanne in die benötigte Position für ihr Auslassen. VORSICHT! Stellen Sie vor dem Auslassen der Wanne ein geeignetes Gefäß unter den Überlauf. Lassen Sie beim Umgang mit heißem Inhalt maximale Vorsicht walten. In der maximalen Position der Wanne kommt es zu ihrem vollständigen Auslassen. Führen Sie die Wanne nach ihrem Ausgießen in die Arbeitsposition zurück.

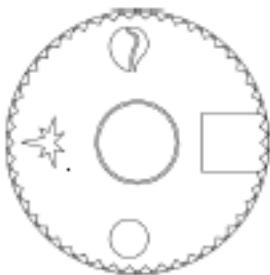


1 – Wasserfüllung

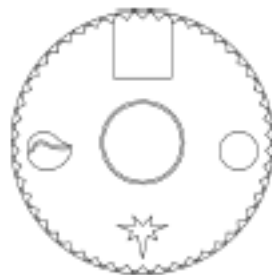
2 – Thermostat drehknopf

3 – gasventil drehknopf

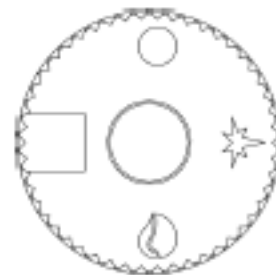
4 – Piezo FeuerzeugKnopf



Ausgeschaltet Position



Zündstellung



Zündstellung für Hauptbrenner

## KIPPSYSTEM DER WANNE

Beim manuellen Kippen der Wanne gehen Sie folgendermaßen vor:

- 1) Stellen Sie unter die Stelle des Ausflusses ein ausreichend großes, temperaturbeständiges Gefäß.
- 2) Lassen Sie den Inhalt der Wanne nach dem Braten abkühlen.
- 3) Klappen Sie am Bedienungsrad den Betätigungsgriff heraus.
- 4) Beginnen Sie, das Rad nach rechts zu drehen, um die Wanne zu heben, und nach links, um die Wanne zu senken.
- 5) Führen Sie das Heben so flüssig wie möglich aus, damit die Wanne nicht in Schwingungen versetzt wird.

### Hinweise:

Gießen Sie Öl niemals bei Frittieretemperatur aus der Wanne aus. Lassen Sie beim Umgang mit der Wanne und ihrem Inhalt maximale Vorsicht walten, einige Bestandteile können auch nach dem Abkühlen des Inhalts heiß sein.

Beachten Sie beim motorbetriebenen Kippen die oben angeführten Hinweise und verwenden Sie diese Taste anstelle des Griffs, wobei der Pfeil nach oben das Kippen und der Pfeil nach unten die Rückkehr der Pfanne in die Grundposition bedeutet:

### Achtung!

Niemals heißes Öl ausleeren. Bei der Arbeit mit dem Tiegel ist höchste Vorsicht angebracht. Manche Bestandteile können auch nach Auskühlen des Gehaltes heiss sein.

Beim Motorauskippen oben genannte Hinweise beachten.



## REINIGUNG

### **Achtung!**

Die Einrichtung darf nicht durch Wasserstrahl oder Druckwasser gereinigt werden. Das Gerät muss man täglich reinigen, tägliche Reinigung verlängert die Lebensdauer des Gerätes sowie auch seine Wirksamkeit. Vor Reinigung ist das Gerät vom Strom abzuschalten, das Gerät soll auch von der Hauptzuleitung abgechaltet werden. Rostfreie Teile mit Waschlappen reinigen, anschließend mit geeigneten Spülmittel durchspülen und austrocknen. Keine Korrosions- und Abrasionsmittel benutzen.

Die Innenfläche des Tiegels 28i teinem gewöhnlichen Schwamm und handelsüblichen Spülmittel reinigen (keine Metallgegenstände). Eine dunkle schwache Schicht auf dem Tiegelboden nicht abschürfen, die bildet eine Schutzschichte. Nach Reinigung den Tiegelboden mit Öl einstreichen.

Nach Reinigung den Tiegel in die Ursprungslage positionieren mit geöffneten Deckel um eine gute Luftzirkulation zu gewährleisten.

### **Beim langfristigen Stillstand:**

Wasser- und Stromzuleitung abschliessen

Den Tiegel reinigen und den Boden mit Öl konservieren

## INSTANDHALTUNG UND GARANTIEBEDINGUNGEN

Bei langfristiger Benutzung ist für eine sicheres Arbeiten eine regelmässige Instandhaltung erforderlich. Wir empfehlen das Abschliessen eines Servicevertrages. Nur autorisierte Techniker können die Instandhaltung durchführen, wie die Vorschriften und Normen aus der Anleitung beachten. Empfehlenswert ist eine Kontrolle alle 6 Monate durchzuführen bzw. Bei grosser Belastung alle 3 Monate. Durch preventive Kontrollen kann man eventuellen Mängeln vorbeugen und damit den Nutzeffekt erhöhen.

### **Achtung!**

Die Garantie bezieht sich nicht auf alle Bestandteile, welche einer üblichen Abnutzung unterliegen (Gummidichtungen, Birnen, Glas- und Plastikteile usw.) Die Garantie bezieht sich auch nicht auf das Gerät, wo die Installation nicht im Einklang mit den Anweisungen durchgeführt wurde – von einem autorisierten Servicetechniker laut der entsprechenden Normen und falls mit dem Gerät unfachmännisch manipuliert wurde, oder von nicht geschulten Personen und in Widerspruch zu der Anweisungen bedient wurde, weiter bezieht sich die Garantie nicht auf Beschädigung von Natureinflüssen oder von anderen Aussenangriffen.

### **Hinweise für Störfall**

Sofort die Strom- und Wasserzuleitung abschalten, einen Service anrufen und keinesfalls mit dem Gerät irgendwie manipulieren. Der Hersteller nimmt keine Verantwortung für Verletzungen und Eigentumsschaden, die aufgrund der Nichteinhaltung von Sicherheitsvorschriften oder der Benutzung zum anderen als bestimmten Zweck entstanden sind.

### **Hinweise für Entsorgung:**

Die Verpackung des Gerätes muss im Einklang mit Vorschriften ordnungsgemäss entsorgt werden. Das Gerät muss einer autorisierten Organisation, die mit dem Einsammeln von elektrischen Geräten beauftragt ist, übergeben werden.

## DÉCLARATION DE CONFORMITÉ

Le fabricant certifie la conformité des appareils aux normes 2009/142/ES, 2014/30/ES, 2014/35/ES à la loi n° 22/1997 sb., 258/2000 sb., 258/2000 sb., 616/2006 sb., 17/2003 sb. et aux décrets applicables. L'installation doit être effectuée dans le respect des normes en vigueur. Attention: le fabricant décline toute responsabilité en cas de dommages, directs ou indirects, causés par une mauvaise installation, par une utilisation, des interventions ou des modifications impropres, par un entretien insuffisant, ainsi qu'en cas de dommages dérivant des causes mentionnées dans les conditions de vente. L'appareil objet de la présente notice est prévu pour un usage professionnel, aussi son utilisation doit-elle être confiée à un personnel possédant les compétences nécessaires à cet effet. L'utilisateur ne doit procéder à aucune intervention ni à aucune modification sur les parties réglées et protégées par le fabricant ou autre personnel autorisé à cet effet.

### CARACTÉRISTIQUES TECHNIQUES

L'étiquette sur laquelle figurent les caractéristiques techniques est apposée sur la partie postérieure de l'appareil. Avant de procéder à l'installation, prendre connaissance du schéma électrique et de toutes les informations que contient la présente notice.

Type de produit	Inclinaison de bain	Materiel de sale de bain en bas	De Volume (l)	Le pouvoir (kW)	Dimensions (cm)
BR 780 G	manual	Fe	50	12	80x73x90 v
BR 780 G/N	manual	INOX	50	12	80x73x90 v
BRM 780 G	electric	Fe	50	12	80x73x90 v
BRM 780 G/N	electric	INOX	50	12	80x73x90 v

	9,45 kWh/m <sup>3</sup> G20 NATURAL GAS (20,25)mbar	8,12 kWh/m <sup>3</sup> G25 NATURAL GAS (20,25)mbar	12,68 kWh/kg G30 BUTAN (30)mbar	12,87 kWh/kg G31 PROPAN 37mbar
Buse du brûleur principal 1/100mm	310	310	175	165
Buse du brûleur pilote 1/100mm	51	51	30	30
Suppression de la buse - pleine puissance (mbar)	9	13,5	26	26
Réglage du contrôle de l'air (mm)	11	11	10	10
Consommation de gaz	1,27	1,477	0,946	0,932

## **CONTROLE DE L'EMBALLAGE ET DE L'APPAREIL**

En vue de son transport, l'appareil quitte les établissements du fabricant parfaitement emballé (sur l'emballage sont apposés les étiquettes et les symboles nécessaires à cet effet). L'emballage contient également la notice des instructions d'utilisation. Dans le cas où l'emballage présenterait des dommages ainsi que dans le cas où il s'avérerait qu'il a été manipulé sans les précautions nécessaires, il est impératif d'adresser sans attendre une déclaration au transporteur en y joignant une acceptation de la marchandise sous réserve.

### **Recommandation importante:**

-Le produit est destiné uniquement à un usage intérieur.

N'utilisez jamais cet appareil si le cordon ou la fiche sont endommagés, si l'appareil fait défaut, s'il a été échappé ou endommagé ou immergé. Dans ce cas, retournez cet appareil au centre service autorisé pour examen.

- Pour usage professionnel seulement
- La présente notice des instructions d'utilisation et d'entretien contient d'importantes informations relatives à la sécurité, à l'installation et à l'utilisation; il est nécessaire d'en effectuer attentivement la lecture.
- Les recommandations se réfèrent à l'appareil objet de la présente notice.
- L'appareil est conforme aux normes en vigueur.
- Veiller à bien conserver la notice de telle sorte qu'elle puisse être consultée à tout moment en cas de besoin.
- Ne pas laisser des enfants s'approcher de l'appareil durant son utilisation.
- Pendant la vente ou après le déménagement de l'appareil vérifier que le personnel lise attentivement la présente notice d'utilisation
- L'appareil ne peut être utilisé que par le personnel instruit
- L'appareil ne peut être laissé en marche sans surveillance
- Il est recommandé de faire l'appareil contrôler au moins une fois par an dans un service spécialisé
- Ne pas utiliser que des pièces détachées originelles.
- En cas de défaut ou de mauvaise fonction, débrancher l'appareil (eau, gaz, électricité) et appeler un service spécialisé
- Le fabricant décline toute responsabilité en cas de dommages, directs ou indirects, causés par une mauvaise installation, utilisation, etc

## **LA LOCATION**

Le local dans lequel l'appareil est installé doit être bien ventilé. Si l'appareil doit toucher le parois, celui-ci doit résister à la chaleur de 90°C au minimum. L'installation, le réglage et la mise en marche doivent être effectués par une personne qualifiée ayant une autorisation nécessaire selon les normes en vigueur.

Déballez l'appareil et vérifiez s'il n'était pas endommagé pendant le transport. Placez l'appareil sur une surface horizontale (pente maximale de 2°). Placez l'appareil sous une hotte pour éliminer la vapeur et mauvaise odeur.

L'appareil peut être installé seul ou en série avec d'autres appareils de notre fabrication. Il faut respecter la distance minimale de 10 cm entre l'appareil et d'autres objets ainsi qu'éviter le contact avec les matériaux inflammables. Dans ce cas il faut prévoir les arrangements nécessaires pour assurer la protection des parties inflammables.

## **INSTRUCTIONS TECHNIQUES POUR INSTALLATION ET REGLEMENT**

### **Important:**

Le fabricant ne fournit pas de garantie pour les défauts causés par l'usage, tout manquement impropre aux instructions contenues dans les instructions ci-jointes pour l'utilisation et aux mauvais traitements des appareils.

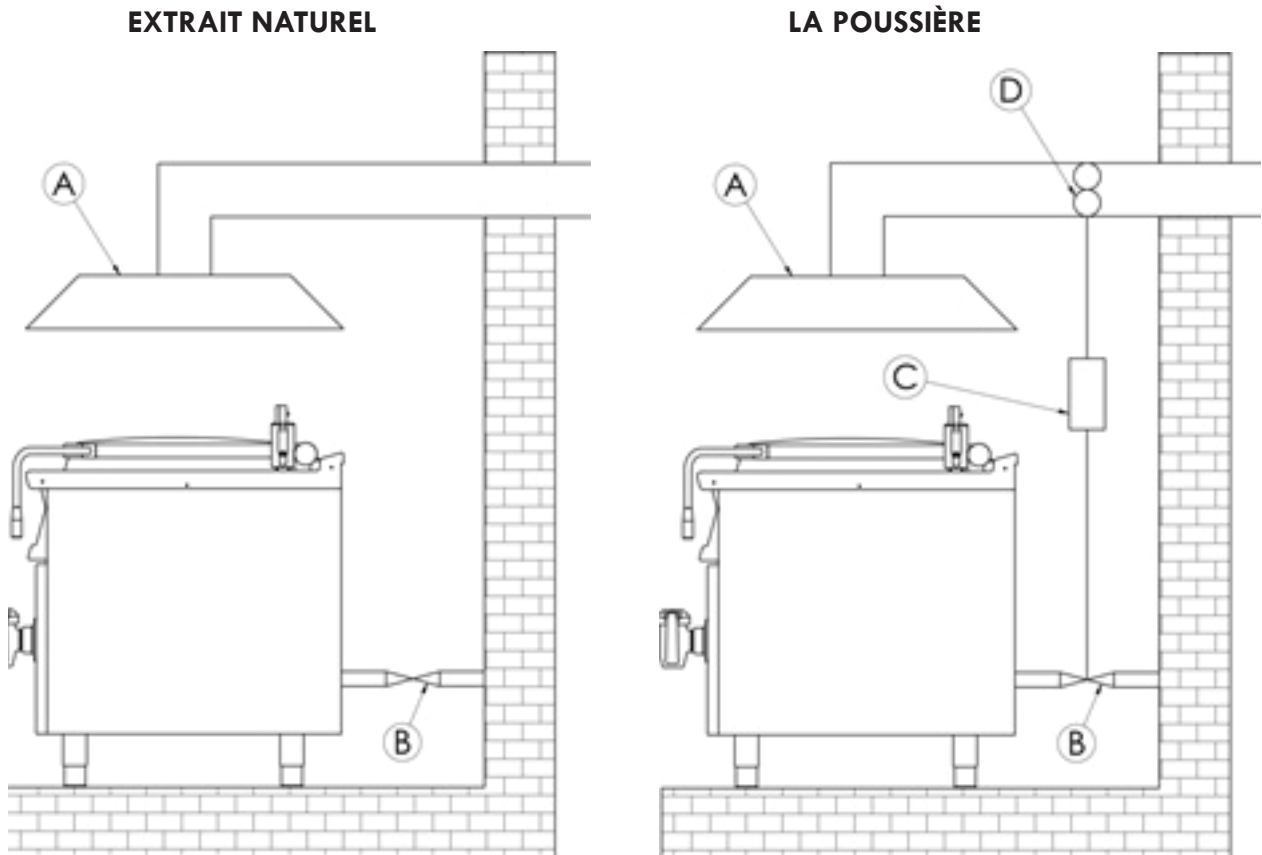
Installation, réglage et réparation d'appareils pour les cuisines, ainsi que leur élimination en raison de dommages possibles au gaz peut être effectuée qu'en vertu d'un contrat de maintenance, ce contrat peut être signé avec un distributeur agréé, et doivent être conformes à la réglementation technique et normes et réglementations concernant l'installation, l'alimentation, de raccordement de gaz et de la santé et la sécurité du système.

Ces instructions sont destinées au technicien qualifié qui doit effectuer l'installation, le mettre en marche et tester l'appareil.

Toute activité en tant que paramètres, le placement, le rééquilibrage etc, doit être faite que lorsqu'il est périphérique déconnecté de l'électricité. Si il est nécessaire d'avoir le périphérique connecté à l'électricité, vous devez garder la plus grande attention afin d'éviter toute blessure.



# CHEMINÉE POUR LA CONCEPTION D'UN DISPOSITIF DE TYPE A



Hotte aspirante avec extraction naturelle (A). Gaz de combustion fournit un tirage de la cheminée naturelle.

Bouchon à la sortie sans extraction naturelle. Des gaz de combustion est assurée par un ventilateur (D) (extraction forcée). Dans ce cas il faut assurer la connexion avec une alimentation en gaz (B) à l'alimentation en gaz en cas de défaillance.

## MÉSURES DE SÉCURITÉ POUR LA PROTECTION CONTRE INCENDIE SELON EN 06 1008 ARTICLE 21:

- l'appareil ne peut être utilisé que par des personnes majeures
- l'appareil peut être utilisé dans un espace ordinaire selon EN 332000-4-482; 332000-4-42
- l'appareil doit être placé ou suspendu d'une manière stable sur une surface ininflammable

Il est interdit de placer sur l'appareil ou dans la distance inférieure à 10 cm de l'appareil des objets inflammables.

- les distances de sécurité pour les matériaux inflammables selon leurs degré d'inflammabilité et les informations sur l'inflammabilité des matériaux de construction – voir le tableau

### Tableau:

degré d'inflammabilité d'un matériel de construction (EN 730823)

A ininflammables	granit, grès, béton, briques, carrelage céramique, enduit
B difficilement inflammables	acumin, héraclite, lihnos, itaver
C1 mal inflammables	bois des arbres feuillus, contre-plaqué, papier durci, umakart
C2 inflammabilité moyenne	aggloméré, solodur, liège, caoutchouc, revêtements
C3 inflammabilité facile	planches de fibre de bois, polystyrène, polyurethane, PVC

L'appareil doit être installé d'une manière sûre. Pour l'ajustage de l'appareil est ce-ci procuré des pieds réglables.

- EN 06 1008 protection contre incendie des consommateurs d'énergie locaux et des émetteurs de chaleur
- EN 33 2000 (33 2000-4-482; 33 2000-4-42) le milieu pour les appareil électriques

## BRANCHEMENT ÉLECTRIQUE

Installation de prise de courant – La prise de courant doit avoir un coupe-circuit indépendant en dépendance de puissance fournie de l'appareil. Vérifiez la puissance de l'appareil sur la plaque des caractéristiques techniques.

Branchez l'appareil directement au réseau, il faut mettre un interrupteur entre le réseau et l'appareil, son ouverture de contacts étant 3 mm au minimum. Câble de terre (vert-jaune) ne peut pas être interrompu par cet interrupteur. En tout cas, le câble de prise de courant doit être placé de telle manière que sa température ne dépasse jamais la température du milieu de plus que 50°C. Avant le branchement au réseau, s'assurer que :

- le coupe-circuit et distribution intérieure peuvent endurer la charge de l'appareil (voir la plaque)
- la mise à la terre fonctionne selon les normes en vigueur (EN) et selon la loi
- la prise ou l'interrupteur de circuit sont faciles d'accès

Le fabricant rénonce à toute responsabilité en cas que les normes ne seront pas respectés ainsi qu'en cas de dérogation des règles mentionnés ci-haut.

**Avant la première utilisation**, il faut retirer le film de protection et nettoyer l'appareil – voir chapitre « nettoyage et entretien ».

### Entretien:

Il est recommandé de faire contrôler l'appareil dans un service spécialisé au moins une fois par an. Toutes les interventions peuvent être effectuées seulement par une personne qualifiée ayant une autorisation pour ces interventions.

## LE RACCORDEMENT DE L'EAU

Le raccordement de l'eau est effectué à l'aide d'un tuyau d'arrivée avec filetage G1/2. Le raccordement est réalisé après avoir retiré le panneau avant (image 1). L'arrivée de l'eau doit être équipée d'une fermeture indépendante, librement accessible et à portée de l'installation. Une soupape de retenue fait partie de l'équipement.

- La dureté de l'eau doit se situer entre 0,5 et 5 ° en degrés français.

**AU-DESSUS DE CETTE VALEUR, UN ADOUCISSEUR DOIT ÊTRE UTILISÉ.**

- La pression de l'eau doit se situer entre 50 et 250kPa.
- La teneur en chlore de l'eau ne doit pas être supérieure à 10ppm, afin de ne pas endommager la surface de la cuve.
- L'acidité de l'eau doit être supérieure à 7 pH.
- Conductibilité électrique : 50 – 2000 uS/cm (20°C)
- Le raccordement doit être conforme à la norme EN 1717 et aux règlements nationaux en vigueur pour la gestion des eaux.

## TUYAU D'AMENÉE DU GAZ

Il faut d'abord déterminer si l'appareil est fait pour le même type de gaz qui sera utilisé et est donc conforme aux indications figurant sur l'étiquette du type de gaz utilisé.

La conversion de la poêle à gaz à un autre type de gaz, vous devez vérifier si elle correspond au type de palier à gaz, ce qui est recommandé dans ce guide.

Connexion de l'appareil à la distribution de gaz doit être tractable à un tube d'acier ou de cuivre se conformer aux exigences applicables nationales. Ce doit être contrôlée sur une base régulière et changé si nécessaire. Chaque appareil doit être équipé d'un robinet d'arrêt et rapide robinet d'arrêt. Rapide robinet d'arrêt doit être librement accessible et à portée de main de l'appareil. Après l'installation, est nécessaire pour vérifier s'il ya une fuite de gaz. Pour trouver une fuite de gaz, vous pouvez utiliser de l'eau savonneuse ou un spray pour la détection de fuite de gaz.

Ne pas utiliser de substances corrosives! Tous nos appareils sont soigneusement contrôlés. Type de gaz, la pression et des catégories énumérées le nom figure sur la plaque de l'information technique.

Raccordement au gaz liquide:

La pression de gaz pour le raccordement de liquide doit être 28 ou 30 mbar pour le propane / butane et 37 mbar pour le propane. Il est nécessaire de vérifier l'étiquette technique, d'évaluer la pression et vérifier les paramètres de la buse est installé avec les paramètres requis de la buse selon les indications du fabricant. Si la pression est inférieure à 25mbar ou supérieure à 37 mbar, l'appareil doit ne pas être connecté.

Raccordement au gaz:

Pression pour la connexion du méthane doit être 18 ou 20 mbar. Il est nécessaire de vérifier l'étiquette technique, d'évaluer la pression et vérifier les paramètres de la buse est installé avec les paramètres requis de la buse selon les indications du fabricant. Si la pression du gaz est inférieure à 15mbar ou supérieur à 22,5 mbar, l'appareil doit ne pas être connecté.

# MESURES POUR LA RECONSTRUCTION ET L'INSTALLATION POUR UN AUTRE TYPE DE GAZ

Nos appareils sont certifiés et réglés pour le gaz naturel (voir plaque signalétique). La reconstruction ou l'adaptation à un autre type de gaz doit être réalisée seulement par un technicien agréé. Les buses pour les différents types de gaz se trouvent dans un petit sachet, emballé avec la marmite, et elles sont indiquées en centièmes de mm (tableau des données techniques des brûleurs).

## **Le remplacement de la buse :**

Le remplacement de la buse exige le démontage du panneau avant. Après avoir desserrer la vis M5, déplacez la régulation de l'air (image 3, note 2) et avec une clé de 13 dévissez la buse d'origine (image 3, note 3) et vissez une nouvelle buse. Il faut ensuite ajuster la régulation de l'air à la nouvelle valeur (image 3, cote „A“). Les dimensions pour le gaz sont indiquées dans le tableau des données techniques des brûleurs.

Il faut également remplacer la buse du brûleur pilote (image 4, note 5). A l'aide d'une clé de 10, démontez le tuyau d'arrivée au brûleur pilote et sortez-le. La buse est située entre l'extrémité du tuyau et le brûleur pilote. Après le remplacement et le remontage du tuyau d'arrivée, il est indispensable de contrôler l'étanchéité du raccordement.

## **Le réglage de la pression :**

La pression est mesurée à l'aide d'un manomètre à sensibilité adéquate. Après avoir desserrer la vis avec étanchéité de l'air, le manomètre est branché sur l'endroit destiné à cet effet (image 5, note 8). La vis de réglage de la pression est accessible après le démontage du chapeau (image 5, note 5). La pression se règle à la valeur indiquée dans la tableau des données techniques des brûleurs (page 10). A l'issue de la mesure, la vis doit être resserrée et son étanchéité doit être contrôlée.

## **Important :**

Après le réglage de l'appareil à un autre type de gaz, il faut indiquer la modification du gaz sur la plaque signalétique de l'appareil.

Mise en service et contrôle du fonctionnement :

- après le raccordement de l'appareil sur l'arrivée, l'appareil, l'installation et le fonctionnement de l'appareil doivent être contrôlés

## **il faut notamment contrôler :**

- Contrôler si tous les raccordements ont été effectués conformément au mode d'installation joint
- Contrôler le respect et la mise en oeuvre de toutes les normes en vigueur, des règles de sécurité, des règlements légaux et des directives
- Contrôler l'appareil pour fuite éventuelle de gaz
- Contrôler l'étanchéité de l'arrivée de l'eau
- Contrôler l'allumage des brûleurs
- Contrôler la stabilité de la flamme
- En cas de modification de l'équipement à un autre type de gaz, modifiez la plaque d'identification du gaz qui est toujours située sous l'arrivée de gaz (image 1 G)

## MODE D'EMPLOI

Attention ! Avant de commencer à utiliser l'appareil, il est indispensable de retirer de toute la surface les films de protection en tôle inox, puis de bien la laver à l'eau avec détergent pour vaisselle, y compris la cuve, puis de l'essuyer avec un chiffon trempé dans de l'eau propre. Séchez complètement la cuve à l'aide d'un torchon, enduisez le fond de la cuve à l'aide de l'huile de table et préchauffez à vide le fond à une température de 230°C. Avant de cuisiner, il est indispensable de faire chauffer le fond avec de la matière grasse et de l'abreuver. Il s'avère optimal de frire environ trois à cinq jours dans la cuve et de l'utiliser ensuite pour cuisiner. Si le nettoyage de la cuve est effectué à l'aide de produits chimiques, il convient de réaliser à nouveau quatre à six cycles de friture avant de cuisiner. **Dans aucun cas, l'appareil ne peut être utilisé comme friteuse ou comme son remplacement !!**

### Allumage du principal brûleur

Version avec allumeur piézométrique

Écartez la porte située à gauche en bas sur le panneau principal et tournez le bouton de commande de la soupape à gaz dans la position allumage (image 2, note 3 et image 6) et tenez-le enfoncé. Enfoncez à plusieurs reprises le bouton de l'allumeur piézométrique. Après l'allumage du brûleur, tenez le bouton enfoncé pendant quelques secondes (environ 10 - 20 secondes), jusqu'au réchauffement du fusible thermique, puis relâchez le bouton. Si la flamme s'éteint, recommencez la manoeuvre.

### Version avec allumage électrique

Écartez la porte située à gauche en bas sur le panneau principal et tournez le bouton de commande de la soupape à gaz dans la position allumage (image 2, note 3 et image 6) et tenez-le enfoncé. La flamme s'allume automatiquement. Après l'allumage du brûleur, tenez le bouton enfoncé pendant quelques secondes (environ 10 - 20 secondes), jusqu'au réchauffement du fusible thermique, puis relâchez le bouton. Si la flamme s'éteint, recommencez la manoeuvre.

### Allumage du principal brûleur et réglage de la température

Tournez le bouton de commande de la soupape à gaz dans la position pour l'allumage du principal brûleur (image 6) et réglez la température exigée sur le bouton de réglage du thermostat de service. Le principal brûleur s'allume.

### Extinction du principal brûleur

Le principal brûleur peut être éteint sans mettre le bouton de réglage du thermostat de service à « 0 » ou en tournant le bouton de commande de la soupape à gaz dans la position pour l'allumage. Le brûleur principal s'éteint toujours et seul le brûleur pilote est en service.

### Extinction complète de l'appareil

Mettez le bouton de commande de la soupape à gaz dans la position Éteint. Tous les brûleurs s'éteignent.

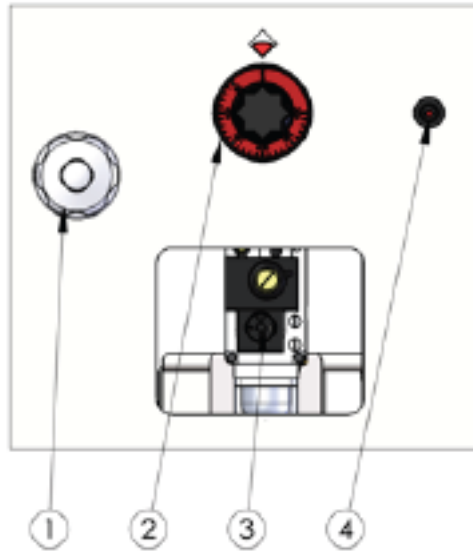
### Remplissage de la cuve

Ouvrez le robinet pour le remplissage de la cuve et fermez-le après le remplissage exigé. Remplissez toujours la cuve avec le couvercle de la cuve ouvert.

### Vidange de la cuve

A l'aide de la roue de manutention, basculez la marmite dans la position indispensable pour la vidange. ATTENTION ! Avant la vidange de la cuve, placer un ustensile adéquat sous la sortie d'évacuation. Soyez très prudent avec le contenu chaud. En position maximale, la cuve est complètement vidée. Après la vidange, remettez la cuve en position de service.

ATTENTION ! Lors du soulèvement de la cuve, le principal brûleur s'éteint. Lors de l'abaissement, le brûleur est de nouveau allumé. Effectuer donc toutes les manipulations avec le brûleur éteint.

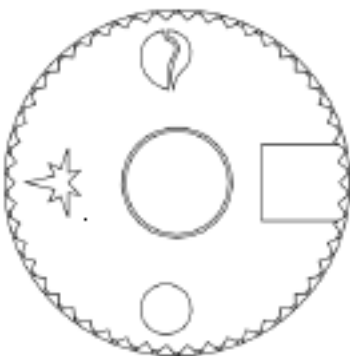


1 – Wasserfüllung

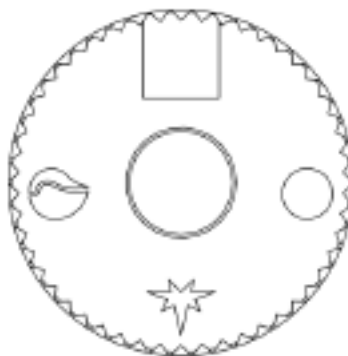
2 – Thermostat drehknopf

3 – gasventil drehknopf

4 – Piezo FeuerzeugKnopf



Éteint la position



Position dallumage



La position dallumage pour le bruleur principal

## LE SYSTÈME DE BASCULEMENT DE LA CUVE

Le basculement manuel de la cuve est effectué comme suit :

- 1) sous le lieu d'écoulement, placez un ustensile suffisamment grand et résistant à la température
- 2) laissez refroidir le contenu de la cuve après la friture
- 3) sur la roue de commande, basculez la poignée de manipulation
- 4) tournez la roue vers la droite pour le soulèvement de la cuve et vers la gauche pour la vidange de la cuve
- 5) le soulèvement doit être effectué sans accros, afin de ne pas faire vibrer la cuve

Attention :

Ne videz jamais l'huile de la cuve à la température de friture. Soyez très prudent lors de la manipulation de la cuve avec contenu, certaines parties peuvent être chaudes même après le refroidissement du contenu.

Lors du basculement motorisé, respectez les avertissements susmentionnés et utilisez ce bouton au lieu de la poignée. La flèche vers le haut signifie le basculement, la flèche vers le bas signifie le retour de la cuve en position de base.

## Nettoyage

**ATTENTION !** Il est interdit de nettoyer l'appareil par le jet d'eau ou par la douche à pression. Nettoyez l'appareil tous les jours. Le service régulier prolonge la longévité et l'efficacité de l'appareil. Avant le nettoyage il faut s'assurer que l'appareil est débranché. Il faut toujours débrancher la principale prise de courant. Nettoyez les pièces inoxydables avec un chiffon humide et un détergent puis lavez avec de l'eau et essuyez. N'utilisez pas les détergents abrasifs ou corrosifs. On nettoie l'intérieur de la poêle avec une spatule plastique ou une éponge avec les détergents. Il ne faut pas enlever la couche foncée au fond de la poêle, celle-ci représente la couche protectrice.

Après le nettoyage mettez de nouveau l'huile au fond de la poêle.

A la fin, remettez tout à la position initiale. Laissez le couvercle ouvert pour que l'air puisse circuler à l'intérieur.

- Dans le cas où vous n'utilisez pas l'appareil plus longtemps :
  - Il faut absolument fermer l'arrivée de l'eau et fermer la prise de courant
- Nettoyez la baignoire et mettez l'huile au fond de la poêle Service et conditions de garantie

Le service régulier est nécessaire en raison de l'utilisation sans danger, on vous alors recommande de signer le contrat de service. Le service peut être réalisé que par les techniciens autorisés qui respectent les normes valables et les instructions mentionnées dans le mode d'emploi. La fréquence optimale des contrôles est 1 fois par 6 mois, dans les conditions extrêmes il convient de faire les contrôles 1 fois par 3 mois. Grâce à service régulier on prévient des endommagements graves ce qui économise les frais d'une réparation éventuelle.

### **Avertissement !!**

La garantie ne couvre pas les pièces qui sont à l'usure (joints élastiques, ampoules, pièces de verre et en plastique, etc.). La garantie ne couvre pas l'appareil au cas où celui-ci n'a pas été installé conformément au mode d'emploi – par une personne autorisée selon les normes correspondantes ou au cas où quelqu'un a manipulé avec l'appareil de façon incompétente (interventions dans l'intérieur) ou au cas où quelqu'un a manipulé avec l'appareil contrairement au mode d'emploi. La garantie ne couvre même pas les endommagements faits par les influences naturelles ou une autre intervention externe.

### **En cas d'une panne :**

Il faut débrancher la prise de courant et l'arrivée de l'eau immédiatement, appeler sans délai le service après-vente et surtout de ne pas manipuler avec l'appareil.

Le producteur n'est pas responsable des blessures ou des dégâts matériels produits en raison d'observation des règles de sécurité ou en raison d'utilisation de l'appareil dans les situations différentes de celles qui ont été recommandées par le producteur

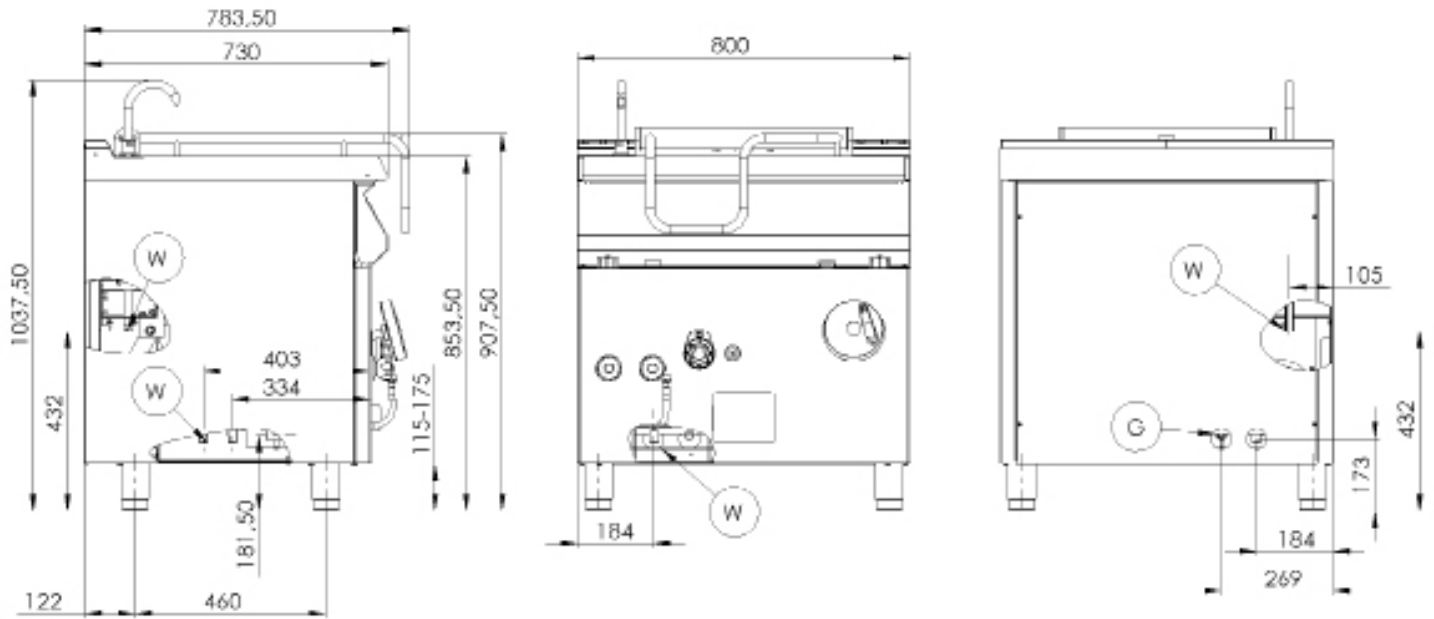
### **Instructions de liquidation :**

Le matériel d'emballage doit être liquidé conformément aux règles valables.

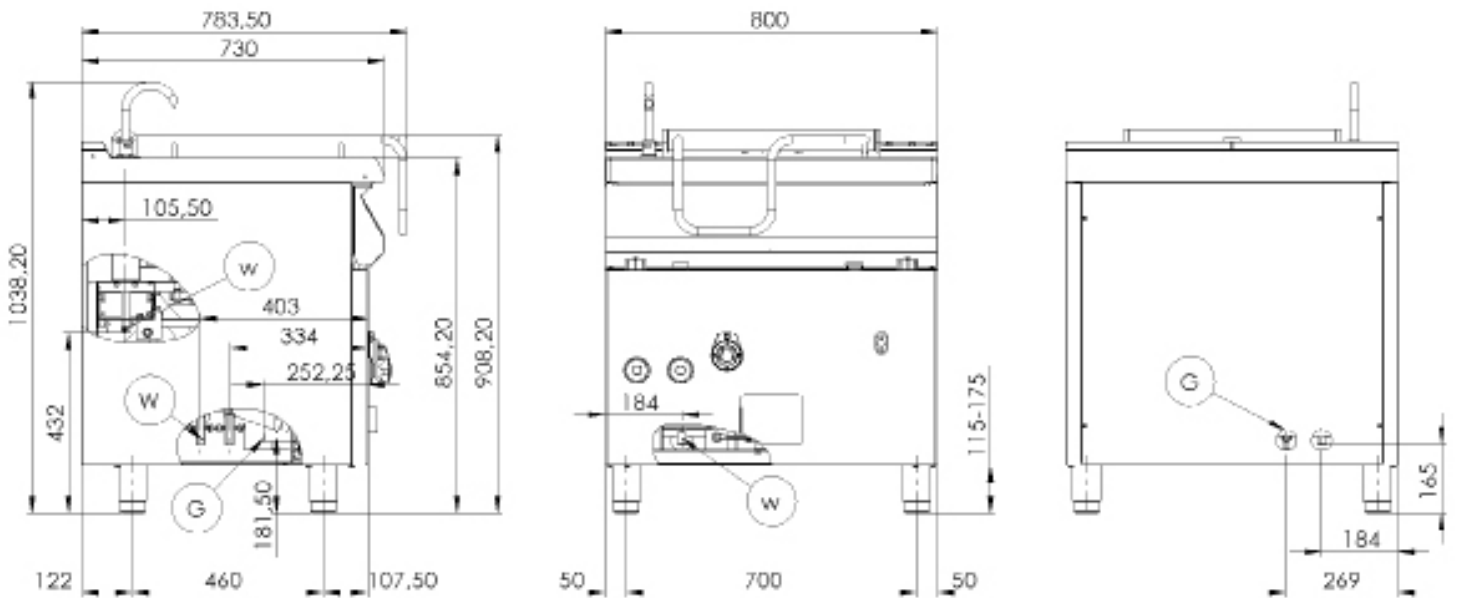
Même votre appareil ancien doit être liquidé correctement. Remettez l'appareil à l'organisation chargée de prise des appareils électriques et des appareils de gaz après la fin de leur durée de service,

DIMENSION PLANS / MASSSKIZZEN / DIMENSIONS

BR-780 G(/N)

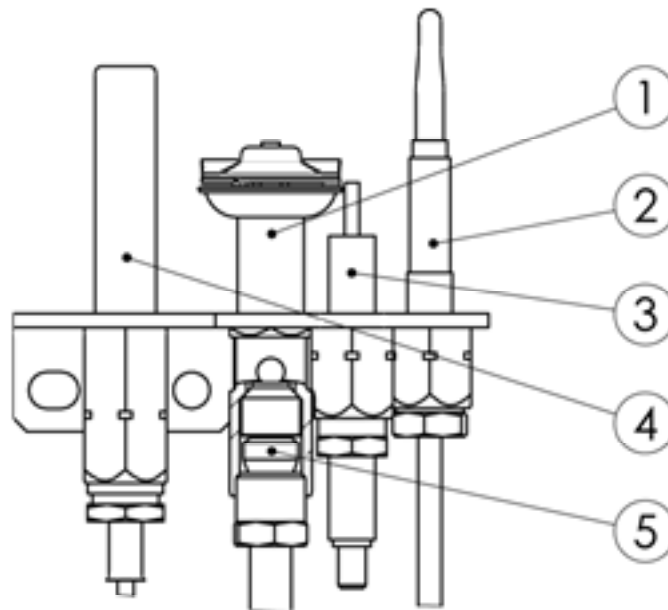


BRM-780 G(/N)





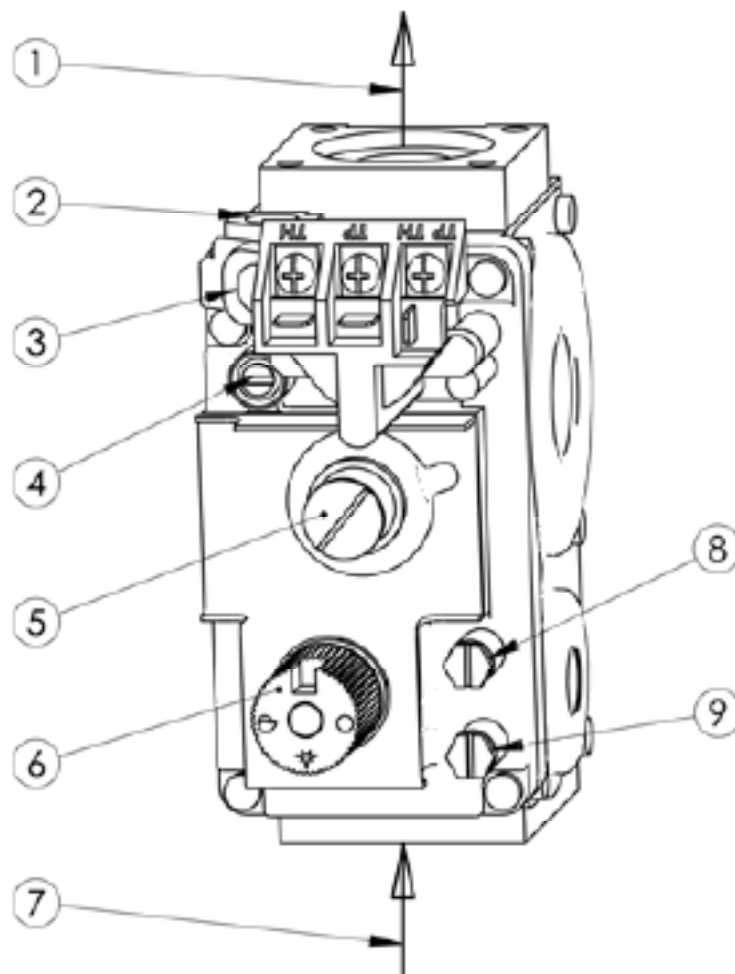
## Pilot burner



- 1 – pilot burner
- 2 – thermocouple
- 3 – spark plug

- 4 – thermo battery
- 5 – nozzle pilot burner

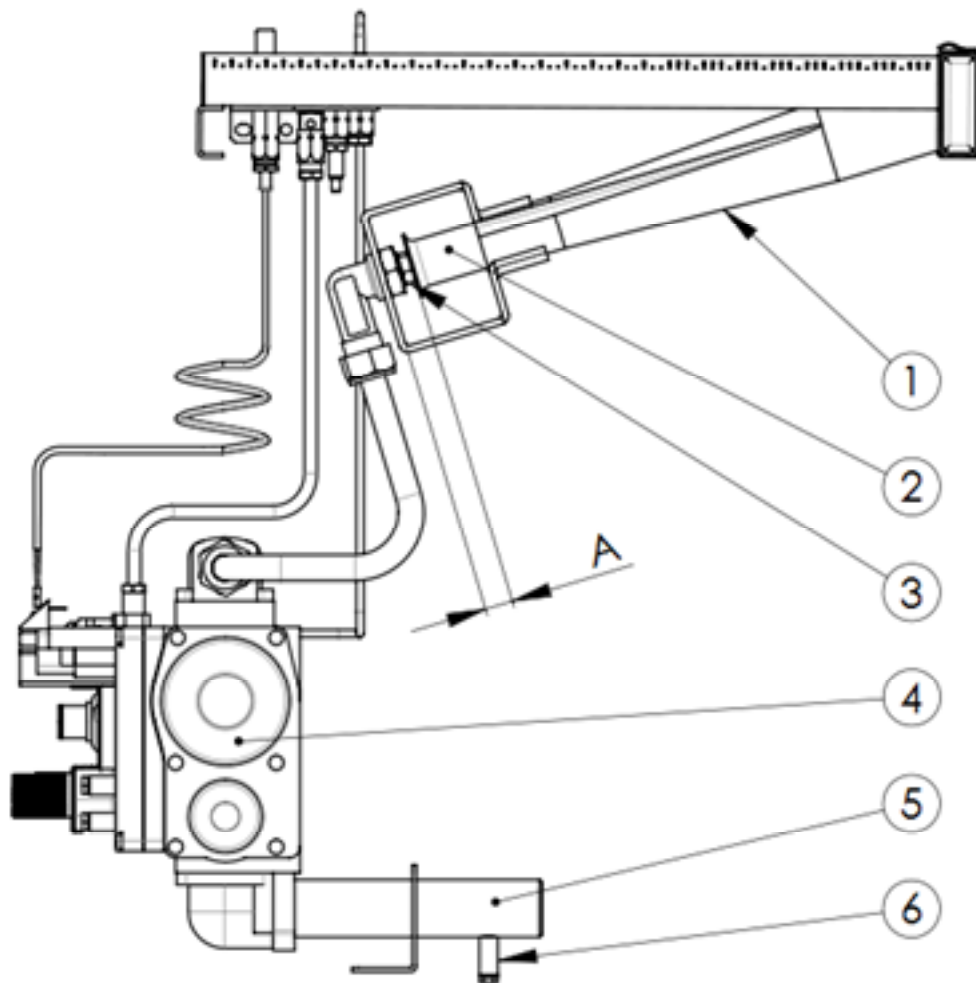
## Gas valve



- 1 – gas output to main burner
- 2 – gas output to pilot burner
- 3 – thermocouple connection
- 4 – adjusting screw for pilot burner power
- 5 – pressure regulator adjustment cap of the main burner

- 6 – control knob
- 7 – gas inlet
- 8 – gas inlet pressure checkpoint
- 9 – gas outlet pressure checkpoint

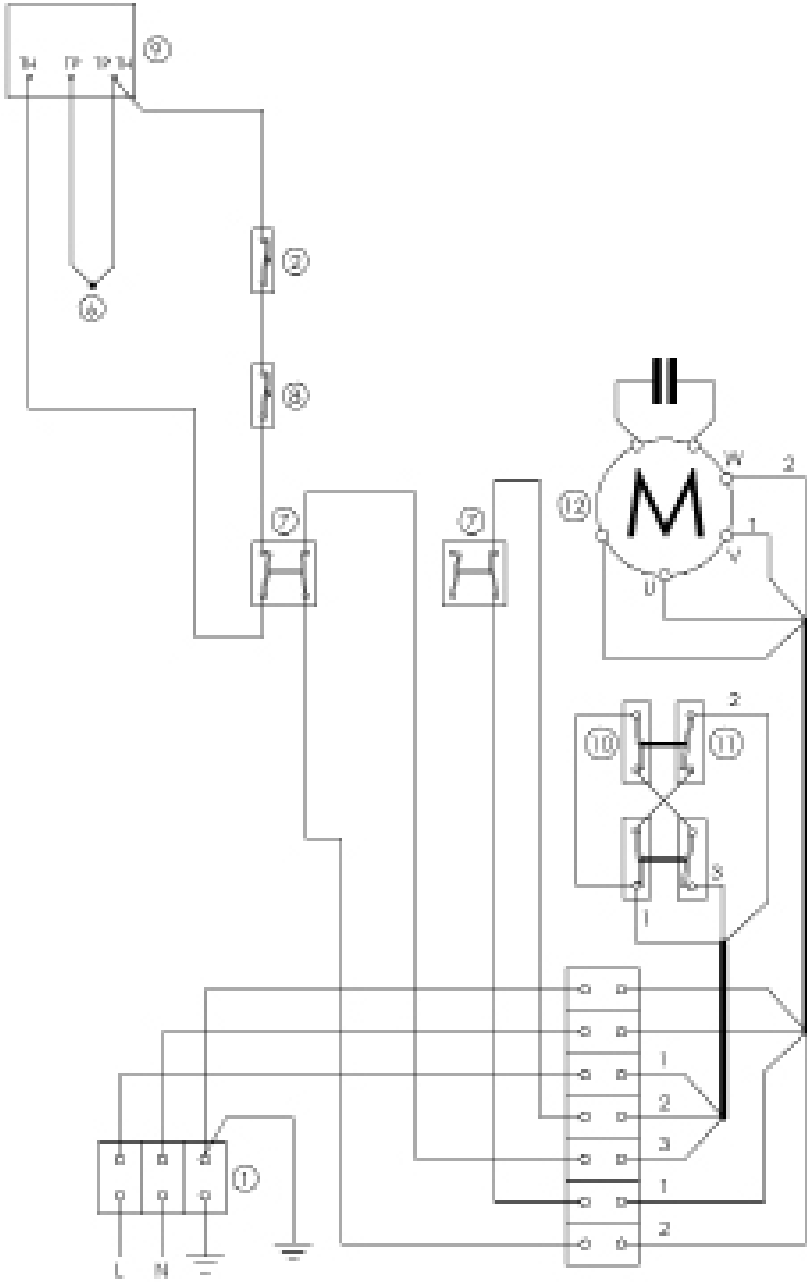
## Gas valve



- 1 – main burner
- 2 – air control
- 3 – nozzle

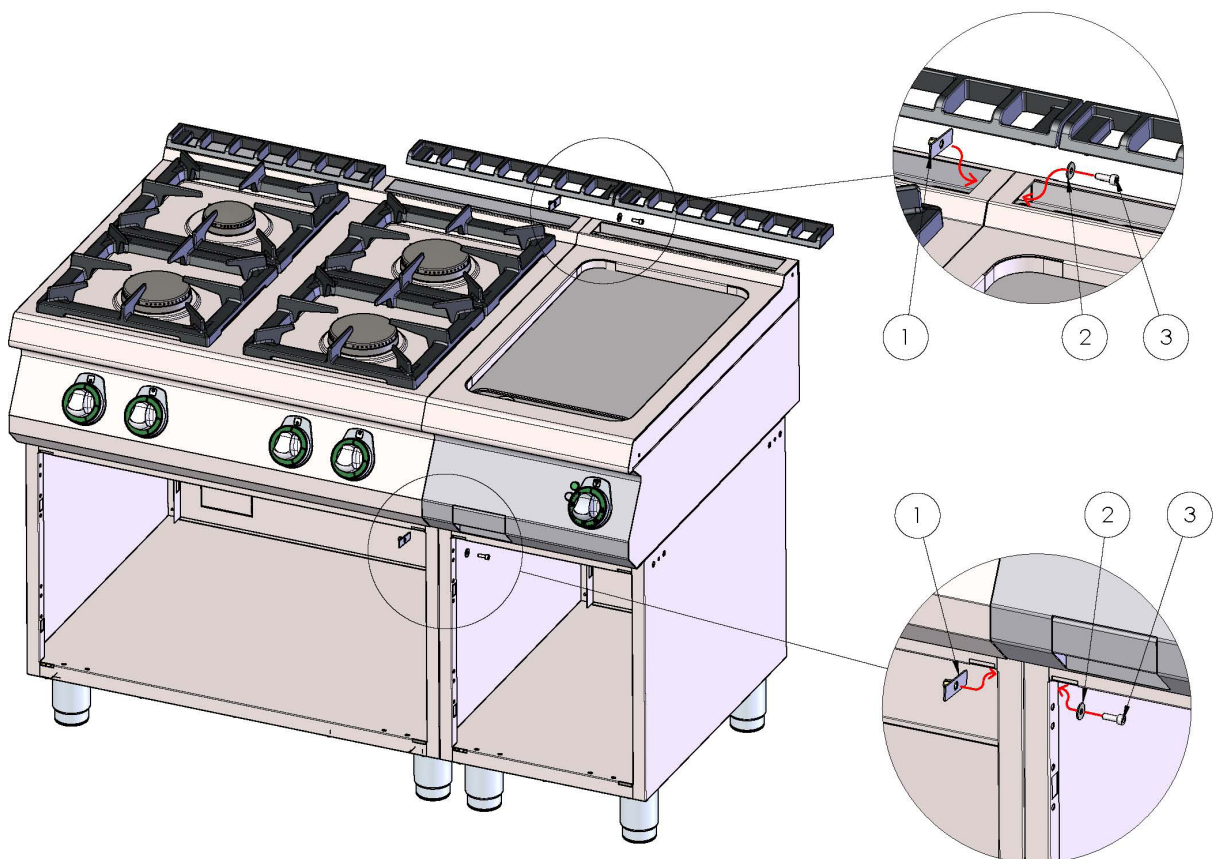
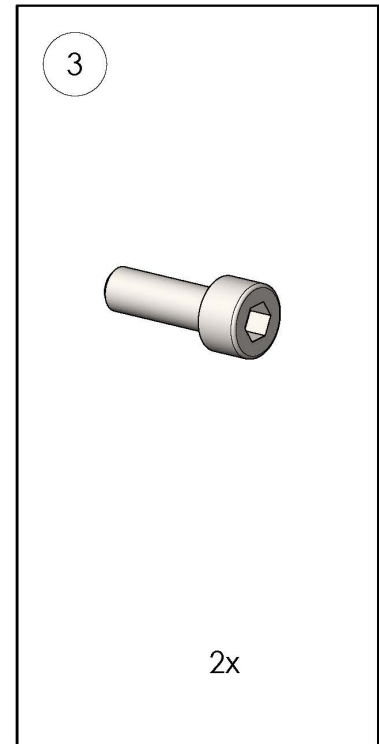
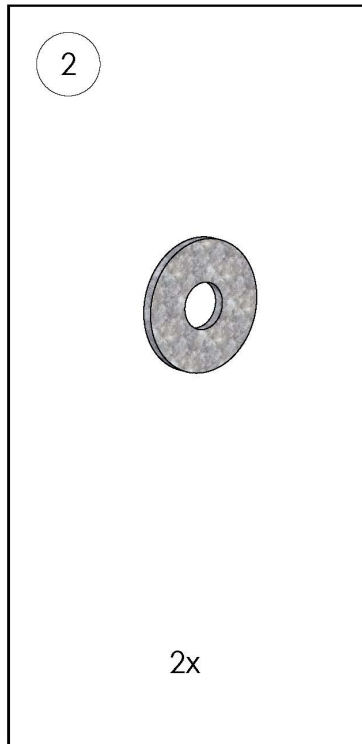
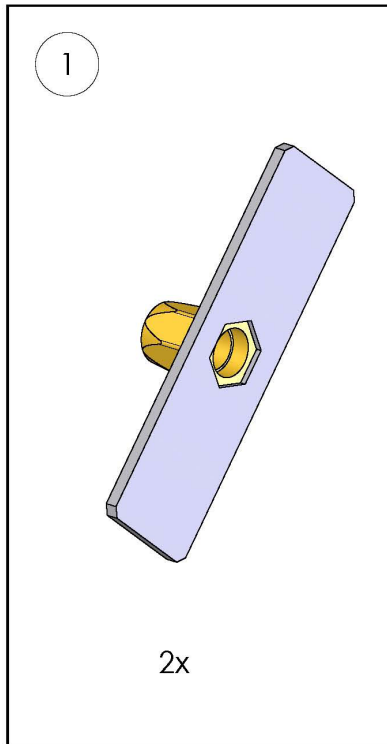
- 4 – gas valve
- 5 – gas inlet
- 6 – gas inlet pressure checkpoint

**EL. CONNECTION DIAGRAM / SCHALTPLAN / SCHÉMA DU ELECTRIQUE**



	 ENGLISH 	 DEUTSCH 	 FRANÇAIS 
1	TERMINAL	TERMINAL	TERMINAL
2	SWITCH O / I	SWITCH O / I	INTERRUPTEUR O / I
3	ILLUMINATED SWITCH O / I	BELEUCHTETE SWITCH O / I	INTERRUPTEUR ILLUMINÉ O / I
4	ROTARY SWITCH	SWITCH ROTARY	SWITCH ROTARY
5	PUSH BUTTON SWITCHES	DRUCKSCHALTER	BOUTON POUSSOIR
6	LIMIT SWITCH	ENDSCHALTER	LIMIT SWITCH
7	MICROSWITCH	MIKROSCHALTER	MICRO
8	RELAY	RELAY	RELAIS
9	RELAY CONTACTS	RELAISKONTAKTE	CONTACTS DE RELAIS
10	TIMER	TIMER	TIMER
11	OPERATING THERMOSTAT	THERMOSTAT WORK	TRAVAIL DU THERMOSTAT
12	SAFETY THERMOSTAT	SICHERHEIT THERMOSTAT	THERMOSTAT DE SÉCURITÉ
13	WHITE LIGHT	WEISSLICHT	L'ORANGE
14	GREEN LIGHT	GRÜNES LICHT	LE VERT
15	DIODE	DIODE	DIODE
16	INTERIOR LIGHT	INNENLEUCHTEN	ECLAIRAGE INTERIEUR
17	HEATING ELEMENT	HEIZELEMENT	ELEMENT DE CHAUFFAGE
18	HOTPLATE	HERDPLATTE	PLAQUE CHAUFFANTE
19	TRANSFORMER	TRANSFORMER	TRANSFORMATEUR
20	FUSE	FUSE	FUSIBLE
20	RHEOSTAT	RHEOSTAT	RHEOSTAT
22	THERMOCOUPLE	THERMOCOUPLE	THERMOCOUPLE
23	SENSOR	SENSOR	CAPTEUR
24	MOTOR LIFT	STROKE ENGINE	MOTEUR DE COURSE
25	MOTOR FANS	MOTOR FANS	VENTILATEURS MOTEUR
26	STARTING CONDENSER	AB CONDENSER	À PARTIR CONDENSEUR
27	SPARK PLUG	ZÜNDKERZE	BOUGIE
28	GAS VALVE (SIT)	GASVENTIL (SIT)	VANNE DE GAZ (SIT)
29	SOCKET	OUTLET	SORTIE
30	DIGITAL THERMOMETER	DIGITAL THERMOMETER	THERMOMÈTRE NUMÉRIQUE
31	CONTROL UNIT	STEUEREINHEIT	UNITÉ DE CONTRÔLE
32	DIGITAL TIMER		

# connection modules/ Anschlussmodule/ les modules de connexion



## PROHLÁŠENÍ O SOULADU S NORMAMI

Výrobce prohlašuje, že přístroje jsou v souladu s nařízením 2016/426/EU, zákonem č.22/1997 Sb. a č. 258/2000 Sb. o ochraně veřejného zdraví, vyhláškou č. 38/2001 Sb. a příslušnými nařízeními vlády. Instalace musí být uskutečněna s ohledem na platné normy.

Výrobce prohlašuje, že přístroje splňují základní požadavky směrnice 2014/35/EU (nařízení vlády č. 118/2016 Sb.) a požadavky směrnice 2014/30/EU (nařízení vlády č. 117/2016 Sb.).

Pozor, výrobce se vzdává jakékoli odpovědnosti v případě přímých i nepřímých poškození, které se vztahují ke špatné instalaci, nesprávným zásahem nebo úpravami, nedostatečnou údržbou, nesprávným používáním, a které jsou eventuálně způsobeny jinými příčinami, jež uvádí body uvedené v podmínkách prodeje. Tento spotřebič je určen pouze pro odborné používání a musí být obsluhován kvalifikovanými osobami. Části, které byly po nastavení zajištěny výrobcem nebo pověřeným pracovníkem, nesmí uživatel přestavovat.

## TECHNICKÁ DATA

Štítek s technickými údaji je umístěn na zadní části přístroje. Před instalací si prostudujte elektrické schéma zapojení a všechny následující informace.

Typ výrobku	Zapalování	Zvedání vany	Materiál dna vany	Objem pánve (l)	Výkon (kW)
BR 780 G	zapalovač	RUČNÍ	FE	50	12
BR 780 G/N	zapalovač	RUČNÍ	INOX	50	12
BRM 780 G	zapalovač	MOTORICKÉ	FE	50	12
BRM 780 G/N	zapalovač	MOTORICKÉ	INOX	50	12

	9,45 kWh/m <sup>3</sup> G20 NATURAL GAS (20,25)mbar	8,12 kWh/m <sup>3</sup> G25 NATURAL GAS (20,25)mbar	12,68 kWh/kg G30 BUTAN (30)mbar	12,87 kWh/kg G31 PROPAN 37mbar
Tryska hořáku pr. 1/100mm	310	310	175	165
Tryska pil. hořáku pr. 1/100mm	51	51	30	30
Přetlak na trysce - plný výkon (mbar)	9	13,5	26	26
Nastav. regulace vzduchu (mm)	11	11	10	10
Spotřeba plynu	1,27	1,477	0,946	0,932

Části, které byly nastaveny výrobcem, nebo servisním technikem při instalaci, nesmí být obsluhou přenastavovány.

Maximální a snížený jmenovitý tepelný příkon v kW je vztažen k Hi použitého plynu.

V případě připojení výrobku na LPG, musí být plynová láhev v dostatečně větraných místnostech.

## Tabulka plynů, pro které je výrobek určen

Provedení	Kategorie výrobků	Připojovací přetlaky [mbar]	Použitý plyn	Země určení
A1	I2E	20	G20	DE, NL, PL, RO
	I2ELL	20, 20	G20, G25	DE
	I2E+	20/25	G20/G25	BE, FR
	I2H	25	G20	HU
	I2H	20	G20	AT, BG, CH, CZ, DK, HR, EE, ES, FI, GB, GR, IE, IT, LT, LV, NO, PT, RO, SE, SI, SK, TR, LU, CY, FR
	I2L	25	G25	FR
	I2L	20	G25	RO
	I2Lw	20	G27	PL
	I3B/P	30	G30	BG, CY, CZ, DK, GB, HR, EE, FI, FR, GR, HU, IT, LT, LV, MT, NL, NO, RO, SE, SI, SK, TR
	I3B/P	37	G30	PL
	I3B/P	50	G30	AT, DE, CZ, CH, FR, SK
	I3P	37	G31	BE, CH, CZ, ES, GB, GR, IE, RO, SI, SK, FR, NL, PT, HR, IT, LT, PL, TR
	I3+	28-30/37	G30	BE, CH, CY, CZ, EE, ES, FR, GB, GR, IE, IT, LT, PT, SI, SK, TR
	II2E3B/P	20, 50	G20, G30	DE, PL, RO
	II2ELL-3B/P	20, 20, 50	G20, G25, G30	DE
	II2E+3+	20/25, 28-30/37	G20/G25, G30	BE, FR
	II2E+3P	20/25, 37	G20/G25, G31	BE, FR
	II2H3B/P	20, 30	G20, G30	BG, CZ, GB, DK, HR, EE, FI, GR, IT, LT, LV, NO, RO, SE, SI, SK, TR, CY, FR
	II2H3B/P	20, 50	G20, G30	AT, CH, CZ, FR, SK
	II2H3P	20, 37	G20, G31	CH, CZ, ES, GB, GR, IE, RO, SI, SK
	II2H3+	20, 28-30/37	G20, G30	CH, CY, CZ, EE, ES, GB, GR, IE, IT, LT, PT, SK, SI, TR
	II2L3B/P	25, 30	G25, G30	NL
	II2L3B/P	25, 50	G25, G30	NL
	II2L3B/P	20, 30	G25, G30	RO
	II2H-S3B/P	25, 25, 30	G20, G25.1, G30	HU

# ZÁKLADNÍ INFORMACE K PLYNOVÝM PÁNVÍM

Pánve plynové jsou konstruovány s ohledem na maximální výkony, odolnost a trvanlivost pro nejtěžší provozy a jednoduchost obsluhy spolu se snadnou údržbou. Pro výrobu jsou používány díly vysoké kvality.

- Hořák o vysokém výkonu
- Optimalizovaný plamen a spotřeba plynu
- Nerezové stěny van a masivní teplo vodné dno
- Masivní konstrukce
- Sklápění ruční nebo elektrické
- U sklopných modelů napouštění vody přímo do vany
- Ergonomické tvarování ovládacích prvků
- Optimalizované tvarování povrchu pro snadné čištění
- Jednoduchá obsluha

## KONTROLA OBALU A ZAŘÍZENÍ

Zařízení opouští naše sklady v řádném obalu, na kterém jsou odpovídající symboly a označení. V obalu se nachází odpovídající návod k obsluze. Jestliže by obal měl vykazovat špatné zacházení, známky poškození, musí se okamžitě reklamovat u přepravce a to sepsáním a podepsáním protokolu o škodě. Na pozdější reklamace nebude brán zřetel.

### **Důležité upozornění**

Tento návod musí být řádně a pozorně přečten, protože obsahuje důležité informace o bezpečnostních prvcích, instalaci a použití.

- Výrobek je určen pouze k používání ve vnitřních prostorách.
- Nikdy spotřebič nepoužívejte, pokud má poškozený napájecí přívod nebo vidlici, pokud nepracuje správně, upadl na zem a poškodil se nebo spadl do vody. V takových případech zanechte spotřebič do odborného servisu k prověření jeho bezpečnosti a správné funkce
- Tato doporučení se vztahují na tento výrobek, nebo produktovou linii.
- Tento návod se musí řádně uschovat pro budoucí použití.
- Zabraňte dětem manipulovat s přístrojem.
- Při prodeji nebo přemístění je nutno se přesvědčit, že obsluha nebo odborný servis se seznámil s ovládáním a instalačními pokyny v přiloženém návodu.
- Výrobek smí obsluhovat pouze obsluha, která se seznámila s tímto návodem k použití.
- Nesmí být spuštěn bez dozoru.
- Doporučuje se kontrola odborným servisem minimálně 1x ročně.
- Při eventuální opravě nebo výměně dílů musí být použity originální náhradní díly.
- Výrobek se nesmí čistit proudem vody nebo tlakovou sprchou.
- Při poruše nebo špatném chodu výrobku je nutné odpojit veškeré přívody (voda, elektřina, plyn) a zavolat autorizovaný servis.
- Výrobce se vzdává jakékoli zodpovědnosti při poruchách způsobenými chybnou instalací, nedodržením shora uvedených doporučení, jiným užíváním apod.
- Příklad: Přístroj se smí používat pouze k účelu, ke kterému je určený, jiné použití je zakázané a může vést ke vzniku nebezpečí či úrazu
- Musí být zajištěno nejpřísnější dodržování pravidel protipožární ochrany
- Za provozu a krátce po něm jsou některé části spotřebiče horké
- Je zakázáno se během provozu dotýkat jiných částí spotřebiče, než ovládacích prvků k tomu určených
- Při používání přepáleného oleje hrozí jeho přehřátí a následné překypění, či vzplanutí



# UMÍSTĚNÍ

Ke správné činnosti a umístění spotřebiče je nutné dodržet veškeré předepsané nařízení a zákony dané země.

Rozbalte přístroj a zkontrolujte, zda se přístroj nepoškodil během přepravy. Umístěte přístroj na vodorovnou plochu (maximální nerovnost do 2°). Drobné nerovnosti lze vyrovnat regulovatelnými nožičkami.

Jestliže zařízení bude umístěno tak, že bude v kontaktu se stěnami nábytku, tyto musí odolávat teplotě až 60°C. Instalaci, seřízení, uvedení do provozu musí provést kvalifikovaná osoba, která má k takovýmto úkonům oprávnění a to dle platných norem.

Přístroj může být instalován samostatně nebo v sérii s přístroji naší výroby. Je nutno dodržovat minimální vzdálenost 10 cm od hořlavých materiálů. V tomto případě je nutné zabezpečit odpovídající úpravy, aby byla zabezpečena tepelná izolace hořlavých částí.

Spotřebič se musí instalovat pouze na nehořlavém povrchu nebo u nehořlavé stěny.

## **Nejmenší požadovaný průtok vzduchu z venkovního prostoru pro spotřebiče v provedení A je v roz- INSTALACE**

### **Důležité:**

Výrobce neposkytuje žádnou záruku na závady, vzniklé v důsledku nesprávného používání, nedodržování instrukcí obsažených v příloženém návodu k použití a špatným zacházením se spotřebiči.

Instalaci, úpravy a opravy spotřebičů pro velkokuchyně, tak jako i jejich demontáž z důvodu možného poškození přívodu plynu, mohou být prováděny pouze na základě smlouvy o údržbě, tato smlouva může být uzavřena s autorizovaným prodejcem, přičemž musí být dodržovány technické předpisy a normy a předpisy týkající se instalace, elektrického přívodu, plynové přípojky a bezpečnosti práce.

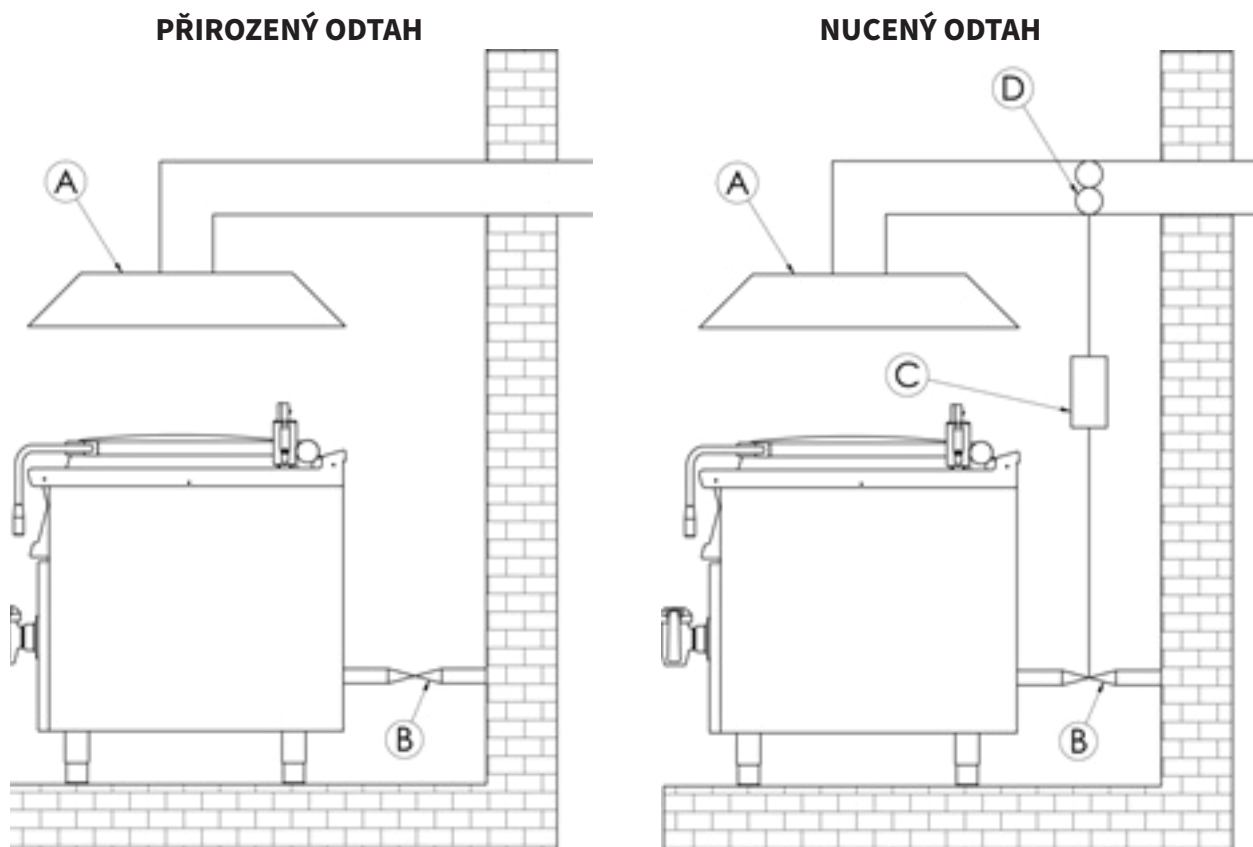
Technické instrukce pro instalaci a seřízení, k použití POUZE pro specializované techniky.

Instrukce, které následují, se obrací k technikovi kvalifikovanému pro instalaci, aby provedl všechny operace způsobem co nejkorektnějším a podle platných norem.

Jakákoliv činnost spojená s regulací apod. musí být vykonána pouze se zařízením odpojeným ze sítě. Je-li nutno udržovat spotřebič pod napětím je nutno dbát nejvyšší opatrnosti.

Typ spotřebiče pro provedení odtahu je deklarován na typovém štítku, jedná se o spotřebiče typu A1.

# PROVEDENÍ ODTAHU PLYNU



Vyústění digestoře je do samostatného komínového tělesa (A). Odtah spalin zabezpečuje přirozený tah komínu.

Vyústění digestoře je bez přirozeného odtahu. Odtah spalin je zabezpečován pomocí ventilátoru (D), (nucený odtah). V tomto případě je nezbytné zabezpečit propojení s přívodem plynu (B) pro vypnutí přívodu plynu při výpadku.

## KONTROLA TEPELNÉHO VÝKONU

Spotřebiče musí být zkontrolovány, aby se ověřil jejich tepelný příkon:

Tepelný výkon je označen na štítku nebo jej naleznete v tomto návodu.

Je nutné nejdříve ověřit, je-li spotřebič vyroben pro ten samý typ plynu, který bude používán a tudíž odpovídá-li označení na štítku typu plynu, který bude používán.

K přestavbě na jiný druh plynu je nutné zkontrolovat, odpovídá-li typ označeného plynu tomu, který je doporučen v této příručce.

Tlak se měří tlakoměrem o potřebné citlivosti. Tlakoměr se připojí na příslušné místo, je nutné proto odšroubovat šroub se vzduchotěsným uzávěrem a připojit tlakoměr. Po ukončení měření je nutné našroubovat šroub zpět a překontrolovat jeho těsnost.

# BEZPEČNOSTNÍ OPATŘENÍ Z HLEDISKA POŽÁRNÍ OCHRANY PODLE ČSN 061008 ČL. 21

- obsluhu spotřebiče smí provádět pouze dospělé osoby
- spotřebič smí být bezpečně používán v souladu s normami a zákony dané země.
- spotřebič je nutné umístit tak, aby stál nebo visel pevně na nehořlavém podkladu

**Na spotřebič a do vzdálenosti menší než bezpečná vzdálenost od něho nesmějí být kladeny předměty z hořlavých hmot (nejmenší vzdálenost spotřebiče od hořlavých hmot je 10 cm).**

Tabulka: stupeň hořlavosti stavební hmoty zařazené do st. hořlavosti hmot a výrobků

Stupeň hořlavosti	Stavební hmoty
A - nehořlavé	žula, pískovec, betony, cihly, keramické obkladačky, omítky
B - nesehadno hořlavé	akumin, heraklit, lihnos, itaver
C1 - těžce hořlavé	dřevo, listnaté, překližky sirkoklit, tvrzený papír, umakart
C2 - středně hořlavé	dřevotřískové desky, solodur, korkové desky, pryž, podlahoviny
C3 - lehce hořlavé	dřevovláknité desky, polystyrén, polyureten, PVC

**• informace o stupni hořlavosti běžných stavebních hmot uvádí tabulka výše. Spotřebiče musí být instalovány bezpečným způsobem. Při instalaci musí být dále respektovány příslušné projektové, bezpečnostní a hygienické předpisy a zákony dané země.**

## PŘIPOJENÍ PLYNOVÉ PŘIPOJOVACÍ HADICE

Připojení spotřebiče do rozvodu plynu je nutné provést přípojnou ocelovou nebo měděnou hadicí vyhovující platným národním požadavkům. Ta musí být pravidelně kontrolována a podle potřeby vyměněna. Každý spotřebič musí být vybaven uzavíracím kohoutem a rychlouzávěrem. Rychlouzávěr musí být volně přístupný a v dosahu zařízení. Po ukončení instalace je třeba překontrolovat, zda nedochází k úniku plynu. Pro zjištění úniku používáme mýdlovou vodu nebo detekční spreje pro zjištění případných úniků.

Nepoužívat látky způsobující korozi! Všechny naše spotřebiče jsou pečlivě kontrolovány. Typ plynu, tlak a označení příslušné kategorie jsou uvedeny na výrobním štítku.

Připojení na kapalný plyn:

Tlak pro připojení na kapalný plyn musí být 28 nebo 30 mbar pro propan/butan a 37 mbar pro propan. Je nutné zkontrolovat štítek, změřit tlak a zkontrolovat parametry nainstalované trysky s požadovanými parametry trysky dle požadavků výrobce. Pokud je tlak nižší než 25 mbar nebo vyšší než 37 mbar NESMÍ BÝT SPOTŘEBIČ PŘIPOJEN

Připojení na zemní plyn:

Tlak při připojení na metan musí být 18 nebo 20 mbar. Je nutné zkontrolovat štítek, změřit tlak a zkontrolovat parametry nainstalované trysky s požadovanými parametry trysky dle požadavků výrobce. Pokud je tlak nižší než 15 mbar nebo vyšší než 22,5 mbar NESMÍ BÝT SPOTŘEBIČ PŘIPOJEN

## PŘIPOJENÍ VODY

Připojení vody se provádí pomocí přívodní hadice se závitem G1/2. Připojení se provede po sejmutí předního panelu. Přívod vody musí být osazen samostatným uzávěrem, který je volně přístupný a v dosahu zařízení. Součástí zařízení je zpětný ventil.

- Tvrdost vody musí být v rozsahu 0,5 - 5 ° francouzských stupňů. Nad tuto hodnotu je nutné použít změkčovač.
- Tlak vody musí být v rozsahu 50 - 250kPa.
- Obsah chloru ve vodě nesmí být vyšší než 10ppm, jinak hrozí poškození povrchu vany.
- Kyselost vody musí být nad 7 pH.
- Elektrická vodivost: 50 - 2000uS/cm(20°C)
- Připojení musí být v souladu s EN 1717 a s platnými národními předpisy pro vodní hospodářství.

## PŘIPOJENÍ ELEKTRICKÉHO KABELU DO SÍTĚ

Instalace elektrického přívodu - tento přívod musí být samostatně jištěn. A to odpovídajícím jističem jmenovitého proudu v závislosti na příkonu instalovaného přístroje. Příkon přístroje zkontrolujte na výrobním štítku na zadním panelu (či boku) přístroje.

Připojený zemnicí vodič musí být delší než ostatní vodiče. Přístroj připojte přímo na síť, je nezbytné vložit mezi spotřebič a síť vypínač s minimální vzdáleností 3 mm mezi jednotlivými kontakty, který odpovídá platným normám a zatížením. Přívod uzemnění (žlutozelený) nesmí tímto spínačem být přerušen. Přístroj určený pro připojení do zásuvky, připojte do sítě pokud má zásuvka odpovídající jištění.

V každém případě přívodní kabel musí být umístěn tak, že v žádném bodě nedosáhne teploty o 50 stupňů vyšší než prostředí. Než bude spotřebič připojen do sítě, je nutné se nejprve ujistit, že:

- přívodní jistič a vnitřní rozvod snesou proudové zatížení spotřebiče (viz štítek matrice)
- rozvod je vybaven účinným uzeměním podle norem a podmínek daných zákonem
- zásuvka nebo vypínač v přívodu jsou dobře přístupné od spotřebiče
- elektrický přívod do zařízení musí být z olejovzdorného materiálu

**Vzdáváme se jakékoli zodpovědnosti v případě, že tyto normy nebudou respektovány a v případě porušení výše uvedených zásad.**

**Před prvním použitím musíte přístroj vyčistit viz. kapitola „čištění a údržba“. Spotřebič musí být uzemněn pomocí šroubu se značkou uzemnění.**

## KONTROLA NASTAVENÍ PŘÍSTROJE NA DRUH PLYNU

Naše spotřebiče jsou certifikovány a regulovány pro zemní plyn (viz. typový štítek). Přestavba nebo přizpůsobení na jiný typ plynu musí být provedena pouze oprávněným technikem. Trysky na různé typy plynu jsou v sáčku, přibaleném k pánvi a jsou označeny v setinách mm (tabulka technických dat hořáků).

### Výměna trysky:

Pro výměnu trysky je nutno odmontovat přední panel, po povolení šroubu M5 zasunout regulaci vzduchu a klíčem 13 vyšroubovat původní tryčku a našroubovat novou. Poté je nutno regulaci vzduchu nastavit na novou hodnotu. Rozměry pro příslušný plyn jsou uvedeny v tabulce technických dat hořáků.

Dále je nutno vyměnit tryčku pilotního hořáku. Klíčem 10 se odmontuje přívodní trubka k pilotnímu hořáku a vysune se ven. Mezi zakončením trubky a pilotním hořákem je umístěna tryčka. Po její výměně a zpětném namontování přívodní trubky je třeba zkontrolovat těsnost spoje.

### Seřízení tlaku:

Tlak se měří tlakoměrem o potřebné citlivosti. Tlakoměr se po odšroubování šroubu se vzduchotěsným uzávěrem připojí na příslušné místo. Seřizovací šroub tlaku je přístupný po demontáži krytky. Tlak se seřídí na hodnotu uvedenou v tabulce technických dat hořáků. Po ukončení měření je nutné našroubovat šroub zpět a překontrolovat jeho těsnost.

### Důležité:

Poté, co bylo provedeno seřízení spotřebiče na jiný typ plynu, je nutné změnu plynu vyznačit na štítku spotřebiče.

### Uvedení do provozu a kontrola chodu:

- po připojení přístroje na přívod musí být přístroj, celá instalace a provoz přístroje přezkoušeny
- obzvláště je třeba zkontrolovat:
  - Zkontrolovat, že všechna připojení byla provedena dle předloženého návodu k instalaci
  - Zkontrolovat, že byly dodrženy a splněny všechny platné normy a bezpečnostní předpisy a zákonné předpisy a směrnice
  - Zkontrolovat spotřebiče kvůli úniku plynu
  - Zkontrolovat těsnost přívodu vody
  - Zkontrolovat zapalování hořáků
  - Zkontrolovat stálost hoření plamene
- V případě změny zařízení na jiný druh plynu, pozměnit výrobní štítek

# NÁVOD K POUŽITÍ

## Pozor!

Než začnete přístroj používat, je nutné z celého povrchu sejmout ochranné fólie z nerezového plechu, a pak jej dobře omýt vodou se saponátem na nádobí včetně vany, a poté otřít hadrem namočeným v čisté vodě. Vanu vytřete utěrkou do sucha, dno vany potřete stolním olejem a proveďte vypálení dna při teplotě 230°C. Před vařením je nutné provést prvotní zapečení, u ocelo-slitinového dna vany. U ocelovo-slitinového dna musíme dbát, na pravidelnou údržbu po skončení varného cyklu. Ocelo-slitinové dno vany je primárně určeno pro práci s olejem. Pokud je provedeno čištění pánve chemií je nutné, provést prvotní zapečení pánve. Přístroj nesmí být za žádných okolností použit jako fritéza nebo její náhrada!! Zapečení vany se projeví jejím zabarvením, což je naprosto normální jev a ne závada. Pro vaření, doporučujeme dno nerezové.

## Zapálení hlavního hořáku

Provedení s piezozapalovačem

Odsuňte dvířka vlevo dole na předním panelu a otočte ovládací knoflík plynového ventilu do polohy zapalování (obr. 2, poz. 3 a obr. 6) a držte ho stlačený. Několikrát stiskněte knoflík piezozapalovače. Po zapálení hořáku držte knoflík stisknutý ještě několik sekund (cca.10-20 vteřin), než se zahřeje termopojistka, poté knoflík uvolněte. Pokud plamen zhasne, celý postup opakujte.

## Zapálení hlavního hořáku a regulace teploty

Otočte ovládací knoflík plynového ventilu do polohy pro zapálení hlavního hořáku (obr. 6) a na regulačním knoflíku pracovního termostatu nastavte požadovanou teplotu. Dojde k zapálení hlavního hořáku.

## Vypnutí hlavního hořáku

Hlavní hořák lze vypnout buď nastavením regulačního knoflíku pracovního termostatu na „0“, nebo otočením ovládacího knoflíku plynového ventilu do polohy pro zapalování. Hlavní hořák vždy zhasne a zůstane hořet pouze pilotní hořák.

## Vypnutí celého přístroje

Ovládací knoflík plynového ventilu nastavte do polohy vypnuto. Dojde ke zhasnutí všech hořáků.

## Napouštění vody do vany

Otevřete kohout pro napouštění vany a po napouštění potřebného množství jej opět uzavřete. Vodu napouštějte pouze při otevřeném víku vany. Voda se nesmí dopouštět do zapnuté zařízení s olejem ve vaně.

## Vypouštění náplně vany

Pomocí manipulačního kola vyklopte pánev do potřebné polohy pro její vypuštění. POZOR! Před vypouštěním vany přistavte pod přepad vhodnou nádobu. Dbejte maximální opatrnosti při manipulaci s vřelým obsahem. V maximální poloze vany dojde k jejímu plnému vypuštění. Po vylití vany ji opět vraťte do pracovní polohy.

## POZOR!

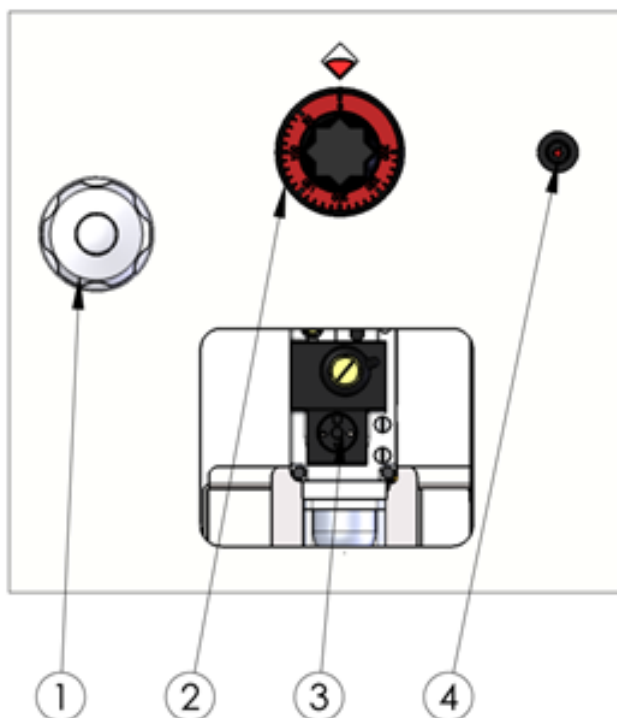
Při zvednutí vany dojde ke zhasnutí hlavního hořáku a při jejím spuštění dolů zase k jeho opětovnému zapálení, proto veškerou manipulaci s vanou provádějte při vypnutém hořáku.

**! V případě smažení nesmí teplota oleje překročit teplotu 230 °C !**



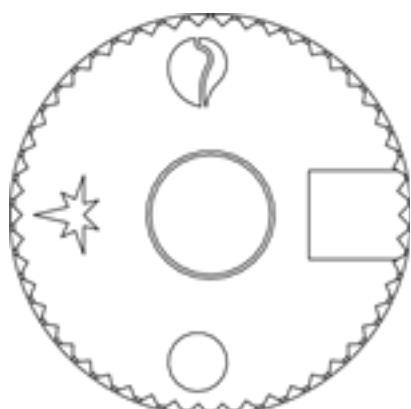
**! PŘED PRVNÍM POUŽITÍM PŘÍSTROJE JE NUTNÉ SI PŘEČÍST NÁVOD K POUŽITÍ !**

## OVLÁDÁNÍ

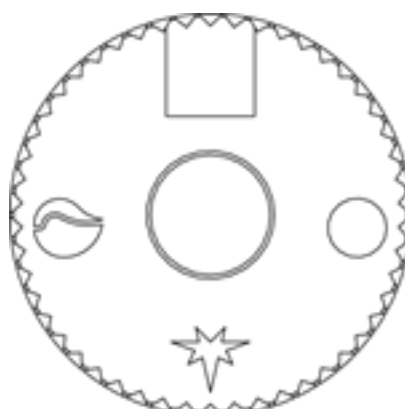


1 - napouštění vody  
2 - ovládání pracovního termostatu

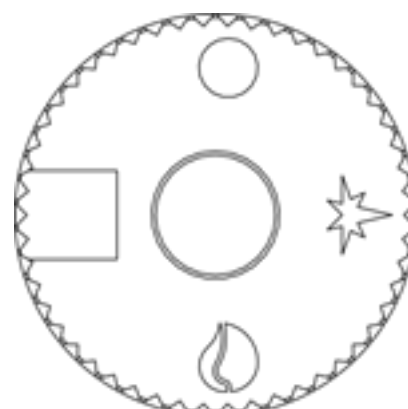
3 - ovládání plynového ventilu  
4 - piezozapalovač



poloha vypnuto



poloha zapalování



poloha zapálení hlavního hoř.

## VYKLÁPĚNÍ VANY

**Při manuálním sklápění vany postupujte následovně:**

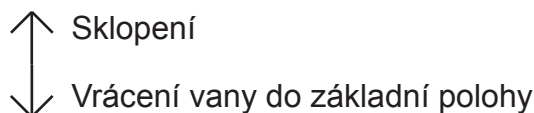
- 1) pod místo výtoku postavte objemově dostatečně velkou nádobu odolnou teplotě
- 2) nechte zchladnout obsah vany po smažení
- 3) na ovládacím kole vyklopte manipulační madlo
- 4) začněte kolem otáčet vpravo pro zdvih vany a vlevo pro spouštění vany
- 5) zdvihání provádějte co nejplynuleji, aby nedošlo k rozkmitání vany

### **Upozornění:**

Nikdy nevylévejte olej z vany při fritovací teplotě. Při manipulaci s vanou a obsahem vany dbejte maximální opatrnosti, některé součásti mohou být horké i po zchladnutí obsahu. Při motorickém sklápění dbejte výše uvedených upozornění.



Při motorickém sklápění vany dbejte výše uvedených upozornění. Elektrické sklápení se provádí pomocí tlačítka sklápění. Sklopení vany provedete šipkou nahoru, vanu vrátíte zpět do základní polohy šipkou dolů.



**! DBEJTE ZVÝŠENÉ OPATRNOSTI PŘI SKLÁPĚNÍ VANY, HROZÍ RIZIKO PORANĚNÍ !**



## ČIŠTĚNÍ A ÚDRŽBA

### POZOR!

Zařízení se nesmí čistit přímou nebo tlakovou vodou. Čistěte zařízení denně. Denní údržba prodlužuje životnost a účinnost zařízení. Před započatím čištění se přesvědčte, jestli jste odpojili zařízení od elektrického proudu. Vždy vypněte hlavní přívod k zařízení. Nerezové části omyjte vlhkým hadrem se saponátem bez hrubých částíček, poté vše opláchněte čistou vodou a vytřete do sucha. Nepoužívejte abrazivní nebo korosivní čisticí prostředky.

Vnitřní povrch pánve čistíme plastovou stěrkou, nebo houbičkou s běžnými saponáty (nepoužívat kovové předměty). Sanitaci po skončení varného procesu, musíme provádět vždy, abychom zabránili korozi. Pánve musíte zahřát na 80 °C po dobu 10 minut, aby jste dno pánve řádně zbavily vlhkosti. Po vysušení dno pánve opět ošetřete stolním olejem.

Tmavou slabší vrstvu na dně pánve zbytečně neodstraňujeme, tvoří ochrannou vrstvu povrchu. Po vyčištění vany vraťte vše do původní polohy. Víko nechte otevřené, aby mohl vzduch v nádobě cirkulovat

- Při dlouhodobé odstávce:
- Bezpodmínečně uzavřete přívod vody a plynu
- Při dlouhodobé odstávce vyčistěte vanu a zakonzervujte dno olejem

Jak postupovat v případě poruchy?

Vypněte elektrický a plynový přívod a zavolejte servisní organizaci prodejce.

## UPOZORNĚNÍ

Záruka se navztahuje na všechny spotřební díly podléhající běžnému opotřebení ( gumová těsnění, žárovky, skleněné a plastové díly atd.). Záruka se též nevztahuje na zařízení pokud není provedena instalace v souladu s návodem – oprávněným pracovníkem dle odpovídajících norem a pokud bylo se zařízením neodborně manipulováno ( zásahy do vnitřního zařízení atd. ) nebo bylo obsluhováno nezaškoleným personálem a v rozporu s návodem k použití, dále se záruka nevztahuje na poškození přírodními vlivy či jiným vnějším zásahem.

**Je nutné provádět řádné kontroly zařízení v intervalu 6 měsíců. Tyto kontroly smí provádět pouze autorizovaný servis. V případě porušení této skutečnosti se výrobce vzdává jakékoli odpovědnosti za škody způsobené na majetku či zdraví osob.**

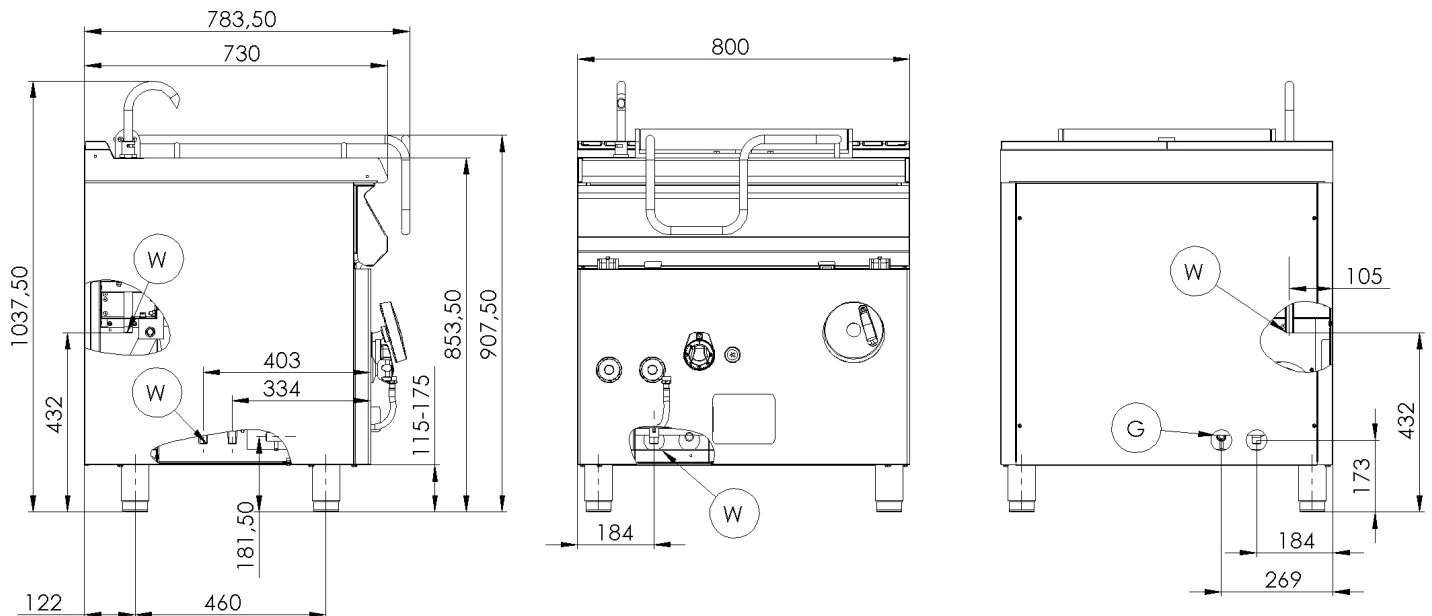
**Přepravní obaly a zařízení po ukončení životnosti odevzdejte do sběru, dle předpisů o nakládání s odpadem a nebezpečným odpadem.**

## Seznam dílů pro výměnu

Zkratka 1	Název zboží
401500610	Spínač koncový BR - ovl.tyčkou
402594033	Samolepící značka - šipka
402594088	Samolep. etiketa se stupnicí FT-E L700
404510010	Ventil plynový 820 NOVA BR 120
401540000	Piezozapalovač
404000002	Hořáček pilotní 3 plameny BR 120
404530300	Svíčka zapalovací BR 90
404050350	Násobič napětí BR 120
402590705	Regulační knoflík chrom L700 E
402590707	Podložka regulačního knoflíku L700 chrom
401540001	Krytka piezozapalovače
402503200	Termostat pracovní 60-324°C BR
402511200	Termostat pojistný 360°C 1 fáz. PT, BR-G
404050300	Termočlánek 1000mm M9x1 (BR900)
402008100	Kabel zapalovací vysokonapěťový R2,2-L800-R3,9
402005023	Vnitřní kabeláž H23
402005060	Vnitřní kabeláž H60
402008200	Kabel k mikrospínači BR
404000050	Hořák BRG 12 kW

# ROZMĚROVÝ NÁČRTEK S PŘÍPOJNÝMI BODY

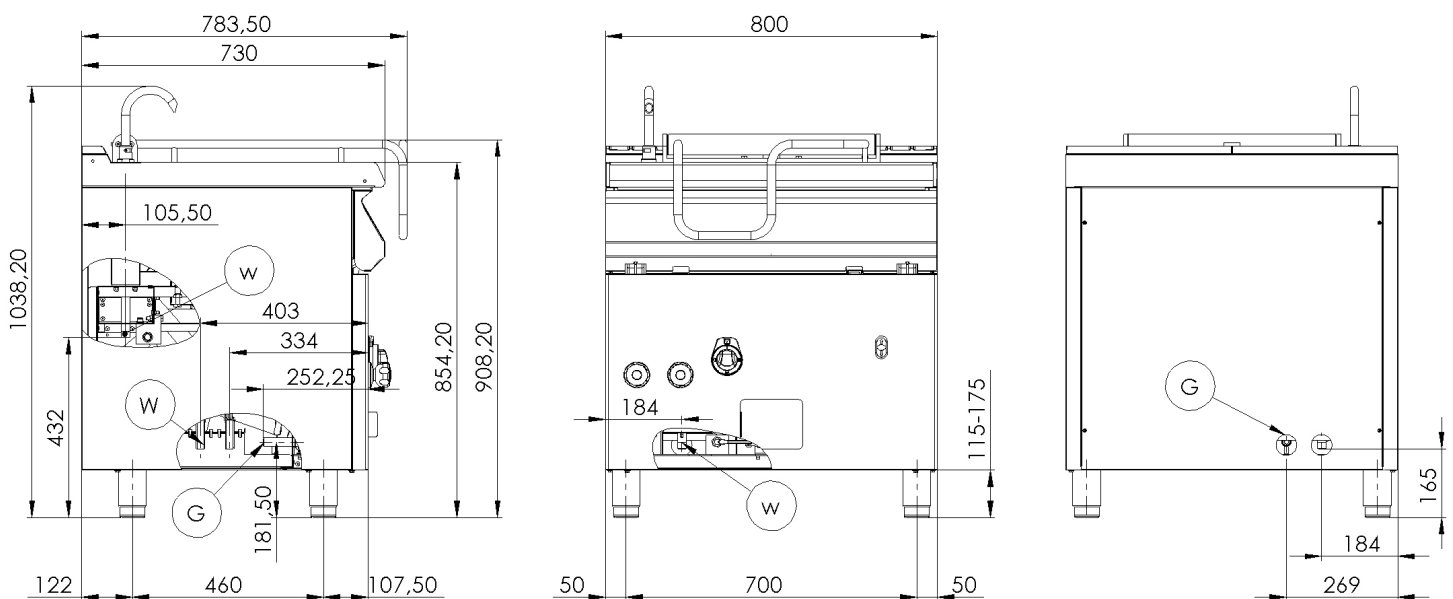
## BR-780 G(/N)

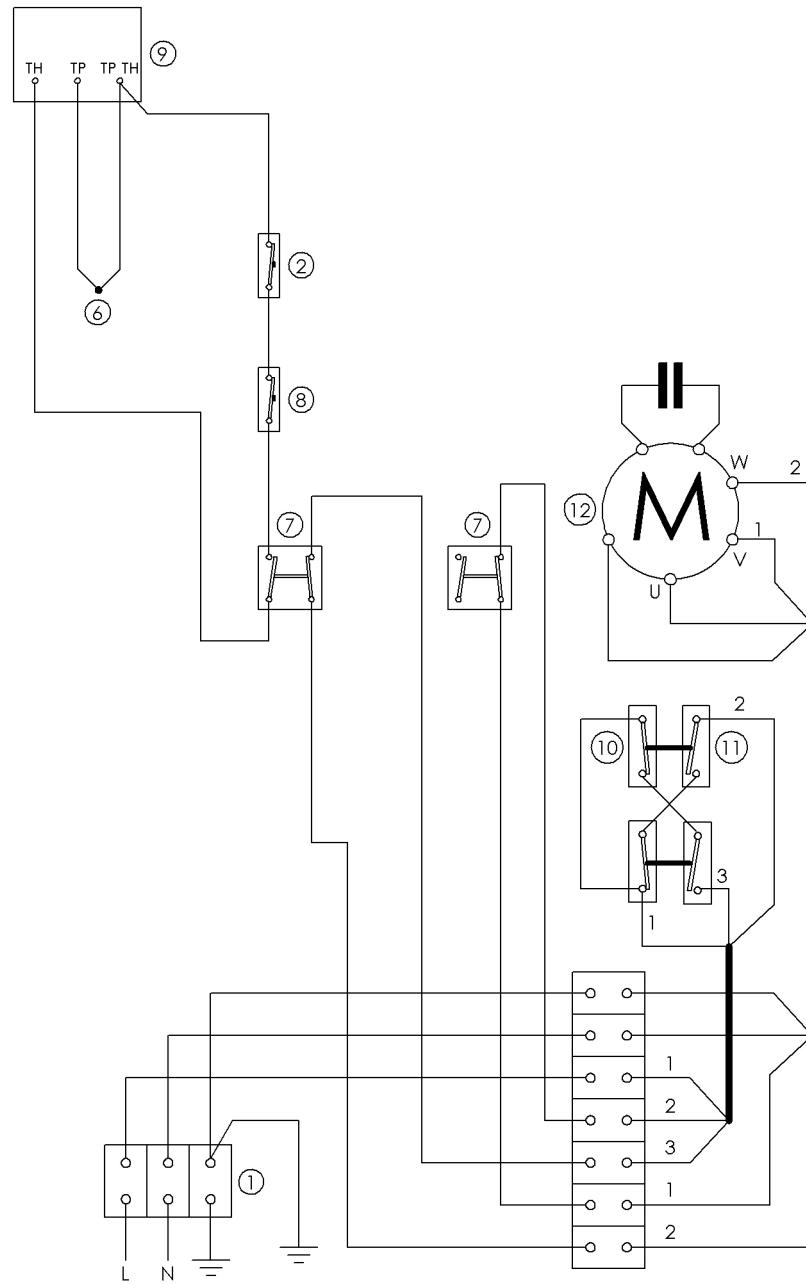


**W - připojení vody**

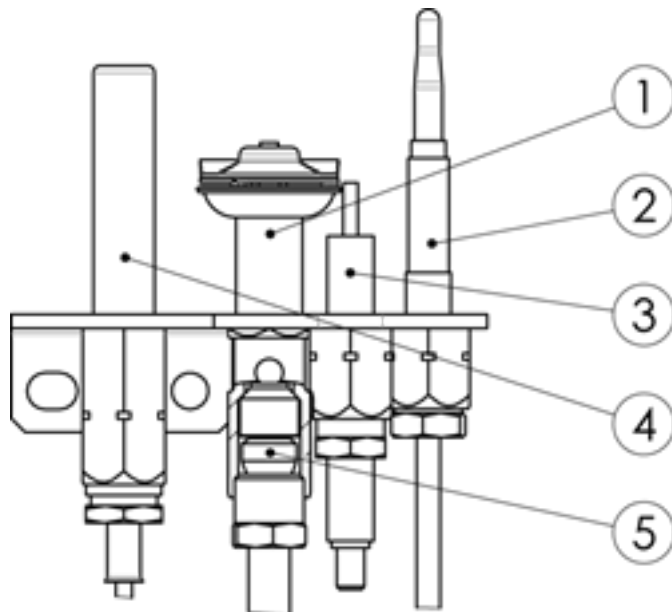
**G - připojení plynu**

## BRM-780 G(/N)



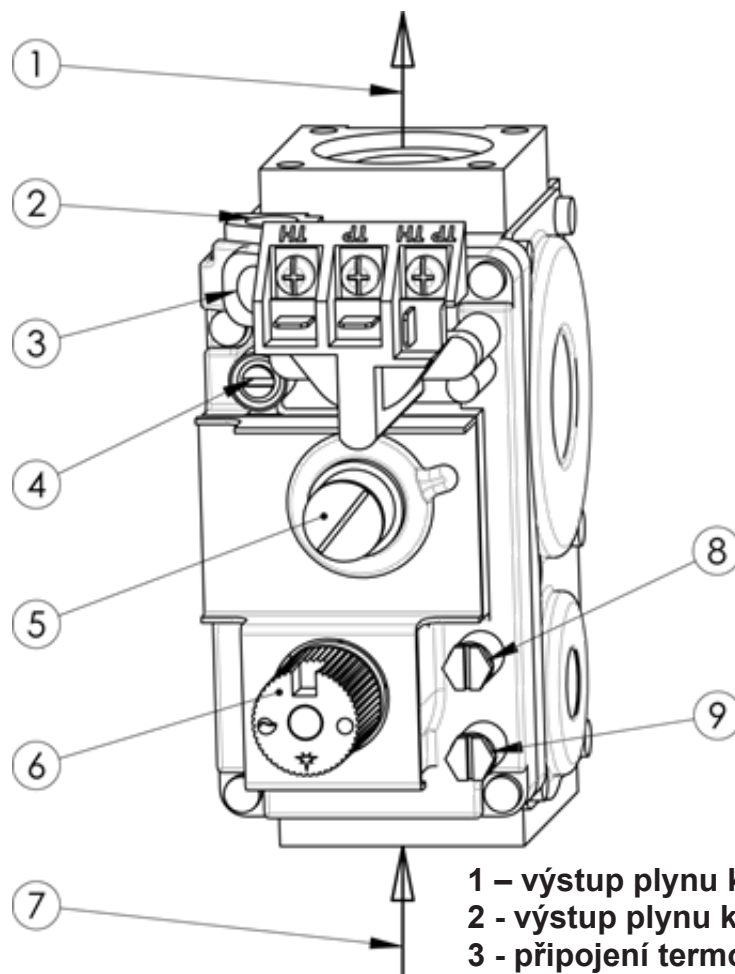


## PILOTNÍ HOŘÁK



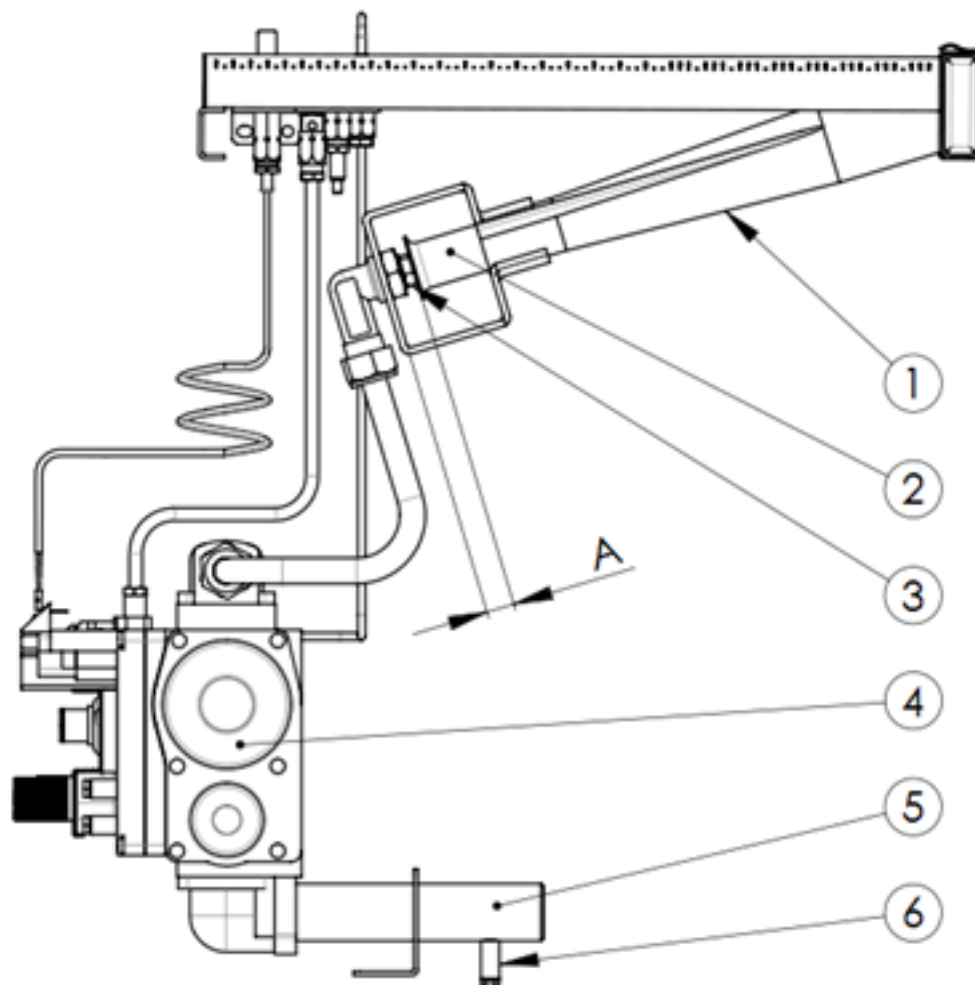
- 1 - pilotní hořák    4 - termobaterie  
 2 - termočlánek    5 - tryska pilotního hořáku

## PLYNOVÝ VENTIL



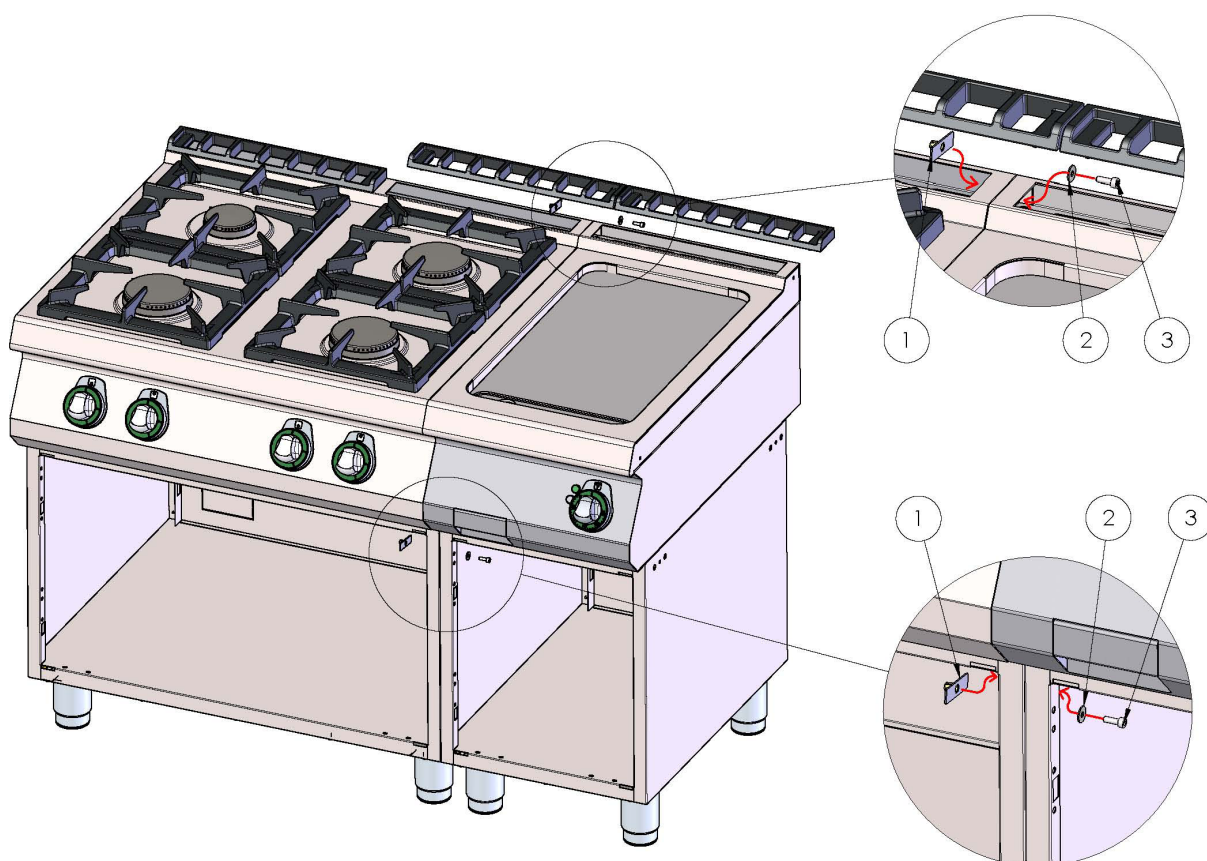
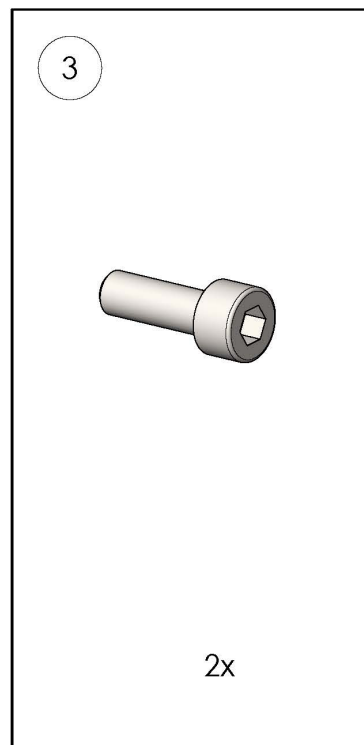
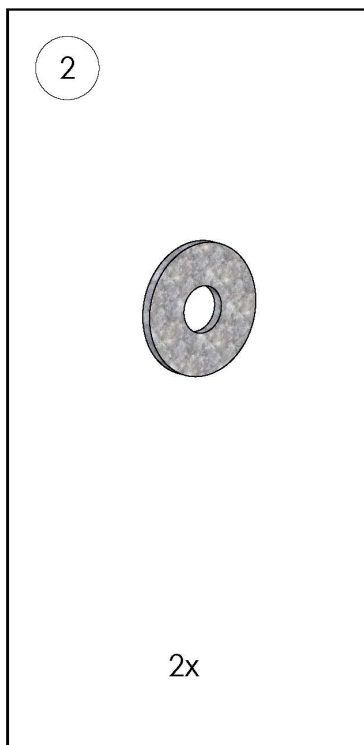
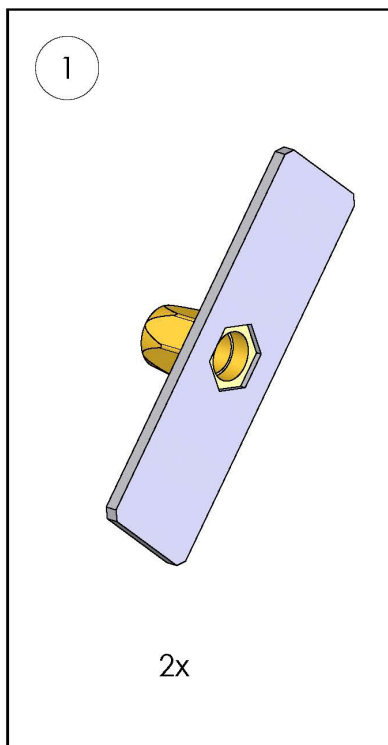
- 1 – výstup plynu k hlavnímu hořáku  
 2 – výstup plynu k pilotnímu hořáku  
 3 – připojení termočlánu  
 4 – seřizovací šroub příkonu pilotního hořáku  
 5 - krytka seřízení regulátoru tlaku hl. hořáku  
 6 - ovládací knoflík  
 7 – vstup plynu  
 8 – kontrolní bod výstupního tlaku plynu  
 9 – kontrolní bod vstupního tlaku plynu

## PLYNOVÝ VENTIL, TRYSKY A HOŘÁKY



- 1 – hlavní hořák
- 2 – regulace vzduchu
- 3 – tryska
- 4 – plynový ventil
- 5 – přívod plynu
- 6 – kontrolní bod vstupního tlaku plynu

# SPOJENÍ MODULŮ



## IZJAVA O SAGLASNOSTI SA NORMAMA

Proizvodjač proglašava da uređaji ispunjavaju norme evropskog parlamenta i savjeta 2009/142/ES. Instalacija mora biti provedena prema važećim normama.

Proizvodjač proglašava da njegovi proizvodi ispunjavaju osnovne uvjete smjernica EU 2004/108/ES i uvjete smjernica 2006/95/ES.

Pozor, proizvođač ne snosi odgovornost u slučaju direktnog i/ili indirektnog oštećenja, a koje može biti uzrokovano neodgovornom ili neprofesionalnom instalacijom, neispravnom opravom i/ili korištenjem, nedovoljnim održavanjem i čišćenjem, te ostalim faktorima koji su uvedeni u uputstvu, odnosno uslovima prodaje. Ovaj uređaj je namijenjen samo k profesionalnom korišćenju i upotrebi, tako da mora biti servisiran samo kvalifikovanim osobljem. Dijelovi koji su bili instalirani od strane proizvođača ili njim povjerene osobe, ne smije korisnik mijenjati, niti opravljati.

## TEHNIČKI PODACI

Naljepnica sa tehničkim podacima se nalazi sa zadnje ili bočne strane aparata. Prije nego što aparat počnete koristiti prostudirajte shemu elektr. instalacije i ostale odgovarajuće informacije.

Model	Tipping	Materijal za kadu dnu	Razmjer	Volumen (l)	Sanga (kW)
BR 780 G	MANUAL	Fe	80 x 73 x 90	50	12
BR 780 G/N	MANUAL	INOX	80 x 73 x 90	50	12
BRM 780 G	ELECTRIC	Fe	80 x 73 x 90	50	12
BRM 780 G/N	ELECTRIC	INOX	80 x 73 x 90	50	12

	9,45 kWh/m <sup>3</sup> G20 NATURAL GAS (20,25)mbar	8,12 kWh/m <sup>3</sup> G25 NATURAL GAS (20,25)mbar	12,68 kWh/kg G30 BUTAN (30)mbar	12,87 kWh/kg G31 PROPAN 37mbar
Mlaznica glavnog plamenika 1/100mm	310	310	175	165
Mlaznica pilot plamenika 1/100mm	51	51	30	30
Nadpritisak mlaznice - puna snaga (mbar)	9	13,5	26	26
Postavka kontrole zraka (mm)	11	11	10	10
Potrošnja plina	1,27	1,477	0,946	0,932



## OSNOVNI PODACI

Plinski kiper je konstruisan tako da pruži maksimalnu izdržljivost, trajnost u tim najtežim uvjetima rada, ali takodjer je vrlo jednostavan za održavanje. U njegovoj proizvodnji su korišteni ti najkvalitetniji materijali.

- Gorionik visoke snage
- Optimalizovani plamen i potrošnja plina
- Nehrdjajuće strane posude i masivno toplo vodno dno
- Masivna konstrukcija
- Sklapljanje ručno ili električno
- U sklapajućih modela, voda se pušta direktno u posudu
- Ergonomično oblikovanje ovladanja
- Optimalizovani oblik površine za lakše čišćenje
- Jednostavno ovladanje

## KONTROLA PAKOVANJA I APARATA

Uredjaj napušta naše skladište uredno zapakovan, na pakovanju se nalaze simboli i opis tipa aparata. U pakovanju ćete naći uputstvo za upotrebu. Ukoliko bi se na pakovanju vidjelo da je s njim bilo loše manipulirano, da je pakovanje oštećeno, morate to odmah riješiti sa prijevoznikom, a to tako što ćete s njim napisati i obostrano potpisati protokol o šteti. Kasnije reklamacije nećemo uzimati u obzir.



### **Važno upozorenje**

Ovo uputstvo mora biti pažljivo pročitano, budući da sadrži bitne informacije o sigurnosti, instalaciji i korištenju.

- Ove preporuke se odnose na ovaj proizvod ili liniju proizvoda.
- Ovo uputstvo se treba sačuvati i za buduće korištenje.
- Zabranite djeci da koriste uredjaj.
- Prilikom preprodaje ili izmjene pozicije uredjaja, neophodno je upoznati servis i osoblje sa priloženim uputstvom za upotrebu i instalaciju.
- Uredjaj smije koristiti samo posluša koja je upoznata sa uputstvom.
- Nesmijete ostavljati uredjaj bez nadzora.
- Preporučuje se kontrola autorizovanim servisom minimalno 2x godišnje.
- U slučaju oprave ili izmjene rezervnog dijela, koristite samo originalne dijelove.
- Uredjaj se ne smije čistiti vodom pod pritiskom (tuš ili crijevo sa vodom).
- U slučaju kvara, isključite aparat iz struje, prekinite dovod vode i/ili plina, a potom se obratite na autorizovani servis.
- Proizodjač ne snosi odgovornost u slučaju pogrešne instalacije, nedodržavanjem gore navedenih preporuka, odnosno neodgovornim korištenjem i sl.
- Uredjaj smije biti korišten samo k tomu čemu je namijenjen, drugi način korištenja može uzrokovati oštećenje aparata ili, čak, tjelesne povrede.
- Moramo najstrožije dodržavati pravila protivpožarne zaštite.

## POZICIJA

Za ispravan rad i položaj aparata neophodno je dodržavati smjernice i norme propisane u uputstvu.

Raspakujte uređaj i prekontrolirajte da se nije slučajno oštetio tijekom transporta. Smjestite uređaj na vodoravnu podlogu (maksimalna neravnina do 2°). Male neravnine možemo regulirati nožicama.

Ako je aparat smješten tako da će biti u neposrednoj blizini namještaja, taj mora biti otporan na toplotu od 60°C. Instalaciju, podešavanje i početak korištenja mora biti proveden kvalifikovanom osobom, koja je k tomu povjerena od strane autorizovanog servisa.

Uređaj može biti instaliran samostalno ili u seriji sa ostalim našim proizvodima. Obavezno dodržavajte minimalnu udaljenost 10 cm od lako zapaljivih predmeta. U takvom slučaju, moraju biti provedene određene izmjene kako bi izolirale zapaljive materijale.

Uređaj smije biti instaliran samo na nezapaljivoj površini i pored vatrostalnog zida.

## INSTALACIJE

### Važno:

Proizvođač ne daje nikakvu garanciju na greške uzrokovane neispravnim korištenjem, nepridržavanjem danih instrukcija ili neodgovornim korištenjem proizvoda.

Instalaciju, izmjene i oprave, a jednako tako i demontažu, ukoliko je aparat oštećen, može provesti samo odgovorna osoba, a to povjerena autorizovanim servisom. I to na osnovu ugovora o prodaji i održavanju koji može biti sklopljen samo sa oficijalnim predstavnikom proizvođača, a mora sadržavati sve tehničke propise i norme koje se tiču instalacije, dovoda struje i plina, te bezbjednosti rada.

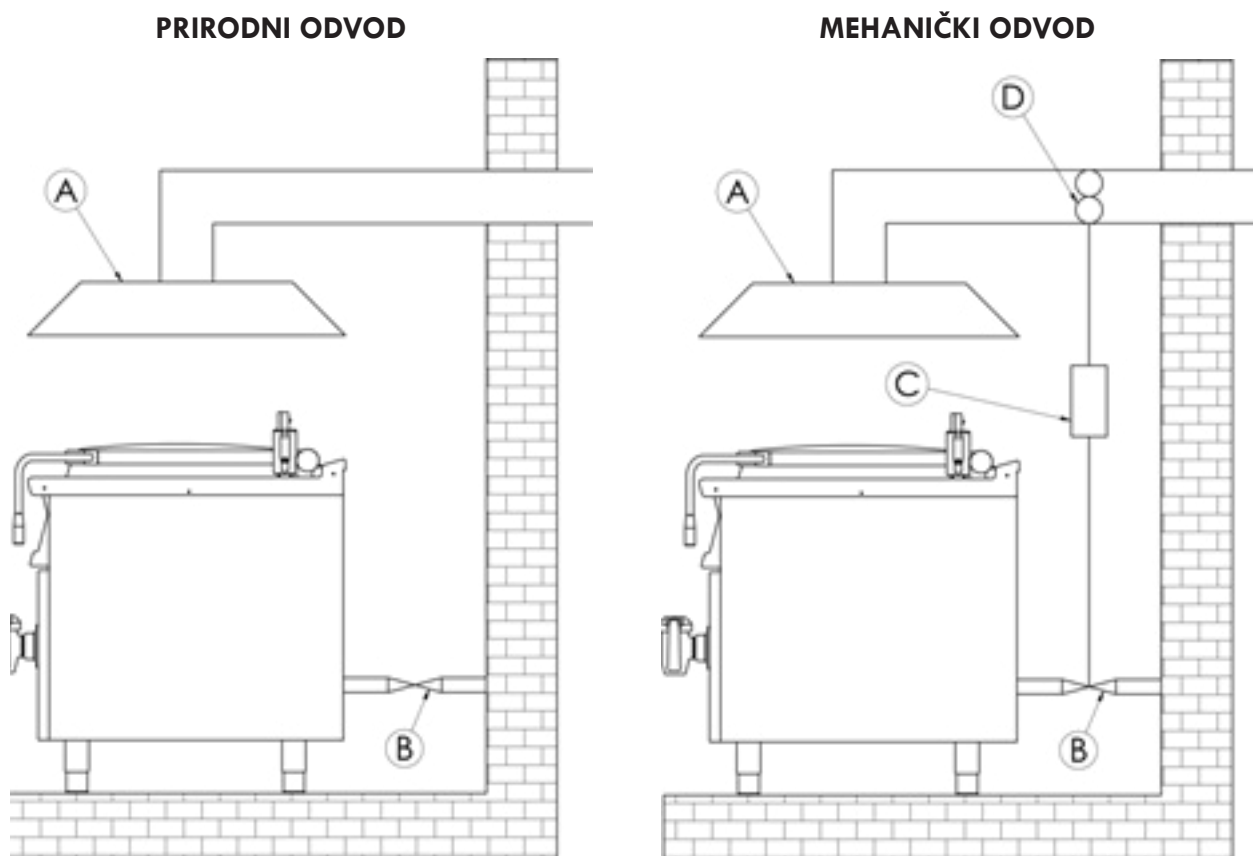
Tehničke instrukcije za instalaciju i podešavanje služe samo SPECIJALIZIRANIM serviserima.

Instrukcije, koje slijede tiču se tehničara kvalifikovanih za instalaciju uređaja, a da bi to učinili na što korektniji i odgovorniji način, a to prema zadanim normama.

Bilo koja djelatnost vezana za regulaciju i sl., mora biti provedena samo kada je aparat isključen i prekinut dovod plina i/ili vode. Dok aparat ne isključite i odvojite, budite maksimalno oprezni i pažljivi prilikom rukovanja.

Kakav trebate koristiti odvod dima, možete vidjeti na naljepnici sa deklaracijom tipa aparata, radi se o aparatima tipa A1.

# PROVEDBA ODVODA PLINA



Odvod digestora je u samom tijelu dimnjaka (A). Odvod dima, osigurava prirodno odvetravanje dimnjaka.

Odvod digestora nema prirodno odvetravanje. To obezbijeduje ventilator (D), (mehanički odvod). U tom slučaju, obavezno je spojiti dovod plina (B) sa odvodem dima, ukoliko bi došlo do nestanka elektr. energije.

Uredjaj moramo prekontrolisati tako da bi se provjerila jačina toplote:

Toplotna snaga je označena na naljepnici ili ćete je naći u uputstvu za upotrebu.

Obavezno provjerite da li je uredjaj namijenjen za taj isti tip plina koji ćete koristiti, odnosno da li je isti plin označen na naljepnici i taj koji ćemo koristiti.

Prije izmjene tipa plina, provjerite da li je taj drugi tip u preporučenim. To ćete naći u ovom uputstvu.

Tlak se mjeri tlakomjerom odgovarajuće osjetljivosti. Prije nego što tlakomjer spojimo, neophodno je odšarafiti šaraf privoda i potom spojiti sa tlakomjerom. Kada završimo mjerenje, privod ponovo zašarafite i prekontrolišite.

## BEZBJEDNOSNE MJERE PROTIVPOŽARNE ZAŠTITE

- Koristiti uređaj smiju samo odrasle osobe.
- Uređaj smije biti korišten samo u tome namijenjenom prostoru.
- Uređaj postavite tako da stoji na vatrostalnoj podlozi.

**Na uređaj i u njegovoj blizini ne smiju biti postavljeni lako zapaljivi predmeti (najmanja dozvoljena udaljenost između aparata i zapaljivih materijala je 10 cm).**

• Informacije o stupnju zapaljivosti uobičajenih građevinskih materijala možete vidjeti na tabeli. Uređaj mora biti instaliran na bezbjednom mjestu. Prilikom instalacije moraju biti respektovani priloženi projektni materijali, sigurnosni i higijenski propisi.

<b>Stupanj zapaljivosti</b>	<b>Gradjevinski materijal</b>
<b>A</b> - nezapaljive	granit, pijesak, beton, cigle, keramičke pločice, žbuka
<b>B</b> - teško zapaljive	akumin, heraklit, lihnos, itaver
<b>C1</b> - veoma zapaljive	drvo, sirkoklit, tvrdi papir, sadrokarton
<b>C2</b> - srednje zapaljive	iverica, solodur, pluto, guma, linoleum
<b>C3</b> - lehce hořlavé	dřevovláknité desky, polystyrén, polyureten, PVC

**Uređaji moraju biti instalirani na bezbjedan način. Prilikom instalacije uređaja moraju biti respektovani predloženi projektni materijali, bezbjednosni i higijenski propisi.**

## SPAJANJE PRIVODA PLINA DO APARATA

Kod spajanje uređaja sa plinom trebamo koristiti čeličnu ili bakarnu cijev, a to prema zakonima dane države. Ta mora biti redovno kontrolisana i izmijenjana ukoliko je to potrebno. Svaki uređaj mora imati odgovarajući zatvarač i havarijni zatvarač. Havarijni zatvarač mora biti lako dostupan i na dohvata aparata. Kada završimo instalaciju, moramo prekontrolisati propusnost plina. Da bi to učinili, možemo koristiti rastvor vodu i sapuna koji će nam otkriti eventualno „curenje“ plina.

Ne koristite materijale koji mogu uzrokovati koroziju! Svi naši uređaji su pažljivo prekontrolisani. Tip plina, tlak i označene kategorije se nalaze na naljepnici proizvoda.

Spoj na kapalni plin:

Tlak za spajanje kapalnog plina mora biti 28 ili 30 mbar za propan/butan i 37 mbar za propan. Ali, u svakom slučaju, prekontrolišite naljepnicu, izmjerite pritisak i prekontrolišite parametre instalirane mlaznice, uporedite je sa parametrima koji su propisani proizvođačem. Ukoliko je pritisak niži od 25 mbar ili viši od 37 mbar **NE SMIJE BITI UREĐAJ PRIKLJUČEN NA PLIN!!!**

Spoj na zemni plin:

Tlak za spoj na metan mora biti 18 ili 20 mbar. Obavezno prekontrolišite naljepnicu, izmjerite pritisak i prekontrolišite parametre mlaznice, uporedite ih sa onim koji su propisani proizvođačem. Ukoliko je pritisak niži od 15 mbar ili viši od 22,5 mbar **NE SMIJE BITI UREĐAJ PRIKLJUČEN NA PLIN!!!**

## PRIKLJUČAK VODE

Spojićemo dotok vode pomoću crijeva sa navojem G 1/2. Prvo moramo skinuti prenji panel uređaja. Dotok vode mora imati svoje samostalno zatvaranje, koje mora biti lako dostupno i u dohvatu aparata. Dijelom uređaja su i vratni ventili.

- Tvrdća vode mora biti u razmjeru 0,5 - 5 ° francuskih stupnjeva. Iznad ove vrijednosti moramo koristiti omekšivač vode.
- Tlak vode mora biti u razmjeru 50 - 250kPa.
- Količina hlora u vodi ne smije biti veća od 10ppm, u protivnom možete oštetiti površinu lonca.
- Kiselost vode mora biti iznad 7 pH.
- Vodljivost struje: 50 - 2000uS/cm(20°C)
- Spoj mora biti u saglasnosti sa EN 1717 i propisima dane države o vodnom gospodarstvu.

## **PRIKLJUČIVANJE EL. KABLA U STRUJU**

Instalacija dovoda struje - taj dovod mora imati svoj poseban osigurač. A to odgovarajući prema snazi i naponu instalovanog aparata. Ove podatke ćete naći na naljepnici sa zadnje ili bočne strane aparata.

Uzemljenje može biti duže od ostalih spojnica. Uredjaj pripojite direktno na struju, a neophodno je da instalirate medju uredjajem i strujom prekidač, i to na udaljenosti 3mm medju samostalnim kontaktima, tako da bi odgovarao važećim normama i opterećenju. Uzemljenje (žuto-zeleno) ne smije biti tim prekidačem prekinuto. Aparat je predvidjen da se uključi u utičnicu, ukoliko ima odgovarajući osigurač.

U svakom slučaju, dovod mora biti postavljen tako da kabel niti na jednom mjestu ne može imati toplotu višu za 50 stupnjeva od sredine u kojoj se nalazi. Prije nego što kabel spojite, uvjerite se da:

- osigurač i razvodi mogu podnijeti opterećenje samog aparata (pogledaj naljepnicu)
- razvodi imaju odgovarajuće uzemljenje a to prema normama i uslovima određenim zakonom
- utičnica ili prekidač su lako pristupni.

**Ne preuzimamo bilo kakvu odgovornost u slučaju da se nisu dane instrukcije respektovale ili ako se nije postupalo prema danim uputama.**

**Prije prve upotrebe pročitajte poglavlje „čišćenje i održavanje“. Uredjaj mora biti uzemljen pomoću već označenih šarafa.**

## KONTROLA PODEŠAVANJA APARATA NA ODREĐENI TIP PLINA

Naši uređaji su certifikovani i regulisani za zemni plin (pogl. naljepnicu). Promjena ili preizvedba na drugi tip plina može biti obavljena samo autorizovanim serviserom. Mlaznice na različite tipove plina su upakovane u kesici i označene su u stotinjkama mm (tablica tehničkih podataka gorionika).

Izmjena mlaznice:

Za izmjenu mlaznice je potrebno odmontirati prednji panel, kada otpustite šaraf M5 oslobodite regulaciju vazduha i ključem 13 odšarafite prvobitnu mlaznicu i zašarafite novu. Potom je bitno da regulaciju vazduha podesimo na novu vrijednost. Razmjeri za odgovarajući tip plina su u tabeli tehničkih podataka gorionika.

Dalje, neophodno je zamijeniti i mlaznicu pilotnog gorionika. Ključem 10 se odmontira cijevčica k pilotnom gorioniku i izvadi van. Medju krajem cijevčice i pilotnim gorionikom se nalazi mlaznica. Po njenoj izmjeni je potrebno prekontrolisati nepropustnost spoja.

Podešavanje tlaka:

Tlak se mjeri tlakomjerom potrebne osjetljivosti. Tlakomjer spojimo sa odgovarajućim otvorom. Šaraf za podešavanje pritiska je dostupan kada odmontiramo poklopac. Tlak se podesi na vrijednost koja je navedena u tabeli tehn. podataka gorionika. Kada završimo mjerenje, vratite šaraf nazad i prekontrolišite propustnost.

**Važno:**

Potom, kada ste zamijenili tip plina, označite tu izmjenu na naljepnici aparata.

Rad i kontrola funkcionalnosti:

- Kada priključite uređaj, neophodno je cijelu instalaciju i rad ispitati.
- Posebno je potrebno prekontrolisati:
  - prekontrolisati da li su svi spojevi napravljeni prema uputstvu za upotrebu i instalaciju
  - prekontrolisati da li su bili pridržavane sve vrijedeće norme i sigurnosni propisi
  - prekontrolisati propustnost plina
  - prekontrolisati propustnost dovoda vode
  - prekontrolisati paljenje gorionika
  - prekontrolisati stalnost gorenja plamena
- U slučaju izmjene tipa plina, obavezno to označite na naljepnici.

## UPUTSTVO ZA UPOTREBU

### **Pozor!**

Prije nego što počnete uređaj koristiti, neophodno je sa cijele njegove površine skinuti zaštitnu foliju, a potom ga dobro oprati pomoću deterdženta za sudje, uključujući i posudu. Nakon toga je obrišite čistom krpom namočenom u mlakoj vodi. Posudu osušite suhom krpom, te namažite stolnim uljem i zagrijte ga na 230 C. Prije kuhanja je neophodno dno propeći, optimalno je 3 do 5 dana u tavi pržiti, a tek potom kuhati. Ako je uradjeno čišćenje tave hemijskim sredstvima, onda je prije kuhanja potrebno napraviti ciklus od 5 do 6 prženja. Ni u kojem slučaju se uređaj ne smije koristiti kao friteza ili njena zamjena. Paljenje tave je uočljivo time što se izmijeni boja, što je sasvim normalno i nikako ne može biti smatrano za grešku.

**Ne zaboravite, kada stavite namjernice stupit će nivo tekućine!**

### **Paljenje glavnog gorionika**

#### **Pomoću piezzo upaljača**

Otvorite vratašca dolje lijevo na prednjoj strani i okrenite ovladač plinskog ventila do položaja uključeno (sl. 2, poz. 3, sl. 6) i pritisnite ga. Nekoliko puta pritisnite dugme upaljača. Paljenjem gorionika pridržite dugme još neko vrijeme (cca. 10 do 20 sec.), dok se ne zagrije termoosigurač, a potom ga pustite. Ukoliko se plamen ugasi, ponovite cijeli postupak.

### **Paljenje glavnog gorionika i regulacija toplote**

Okrenite ovladač plinskog ventila do položaja za paljenje glavnog gorionika (sl. 6) i na regulacijskom dugmetu radnog termostata podesite željenu toplotu. Time ćemo upaliti glavni gorionik.

### **Isključivanje glavnog gorionika**

Glavni gorionik se može isključiti na sljedeći način, a to tim što ćemo okrenuti ovladač radnog termostata na poziciju „0“ ili time što ćemo okrenuti ovladač plinskog ventila do položaja za paljenje, tim će glavni gorionik biti ugašen, ali „vječni“ plamen će ostati upaljen.

### **Isključivanje cijelog pristroja**

Ovladač plinskog ventila okrenite do položaja isključeno, time ćemo isključiti sve gorionike.

### **Puštanje vode do posude**

Otvorite ventil za vodu, te kad napunite posudu željenom količinom vode, zatvorite ga. Vodu nalijevajte samo ukoliko je otvoren poklopac. Nikada ne nalijevajte vodu, ukoliko je ulje već u posudi.

### **Ispuštanje vode**

Pomoću ručke otklopite posudu do potrebnog položaja za ispuštanje vode. **POZOR!!!** Prije ispuštanja vode, pripremite zdjelu, odnosno lonac gdje ćete vodu izliti. Veoma oprezno postupajte ukoliko je sadržaj posude vreo. Nakon što izlijete posudu, vratite je u radni položaj.

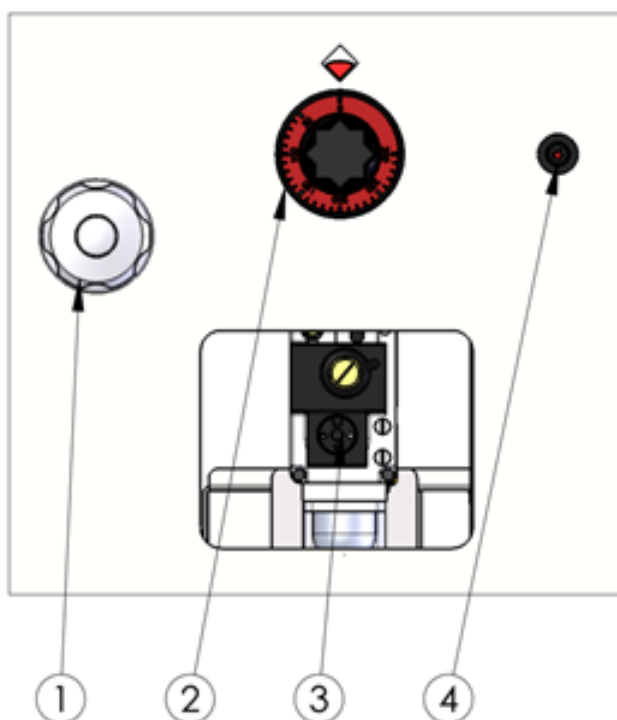
### **PAŽNJA!!!**

Kada podignete posudu, doći će do gašenja glavnog gorionika, a pri spuštanju do njegovog ponovnog paljenja, zato svaku manipulaciju sa posudom provedite pri isključnom gorioniku.

U slučaju prženja, ne smije toplota ulja prekoračiti 230 C.

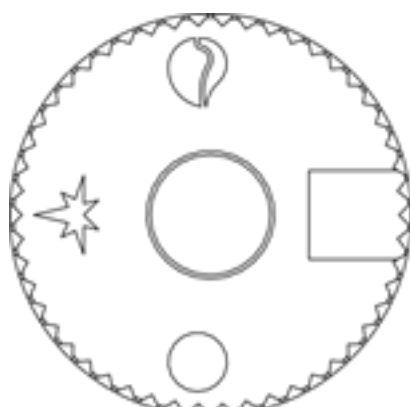


## OVLADANJE

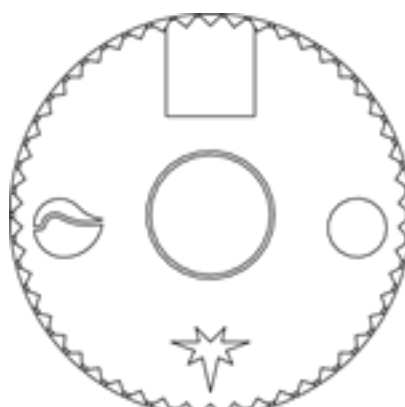


1 -punjenja vodom  
2 - Kontrola termostata

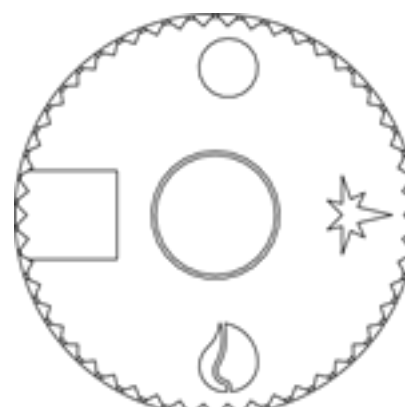
3 - kontrola plinski ventil  
4 – piezo upaljačem



Mjesto Off



Paljenje položaja



Mjesto zapaliti planine

### Kod manualne manipulacije kiperom:

- 1) Ispod mjesta gdje ćete izljevati kiper, postavite dovoljno veliku posudu, otpornu na toplotu;
- 2) Pustite da se sadržaj koji je u kiperu, ohladi;
- 3) Na točku ovladavanja izvadite manipulacionu ručku;
- 4) Počnite okretati udesno, ako želite kiper podići, odnosno ulijevo ako ga želite spustiti;
- 5) Podižite kiper vrlo pažljivo, tako da se ne bi izljevao sadržaj posude.

### Upozorenje:

Nikad ne izljevajte ulje iz kiperu kada je vrelo. Kada radite sa kiperom, budite veoma pažljivi, jer neki njegovi dijelovi mogu biti vrući i kada je jelo u kiperu ohladjeno. I kada koristite kiper sa elektronskim ovladanjem, dodržavajte se gore navedenih upozorenja.

## ČIŠĆENJE I ODRŽAVANJE

### POZOR!

Aparat ne smijete čistiti vodom koja je pod pritiskom; npr. tuš, crijevo. Čistite ga svakodnevno. Dnevno održavanje produžava život i upotrebnu vrijednost aparata. Prije početka čišćenja, provjerite da li ste aparat isključili iz struje. Uvijek provjerite glavni dovod. Dijelove od nehrdjajućeg čelika čistite vlažnom krpom i tekućim deterdžentom za sudje, potom operite čistom vodom i detaljno osušite. Nemojte koristiti abrazivna ili korozivna sredstva za čišćenje.

Unutrašnjost kiperu čistite plastičnom četkom ili spužvom, koristeći uobičajeni deterdžent za sudje (nemojte koristiti metalne predmete, kao što su žičane četke i sl.). Tamni tanji sloj na dnu posude ne skidajte, taj stvara zaštitni „film“ njene površine. Kada operete dno kiperu, namažite ga ponovno stonim uljem.

Poslije čišćenje sve vratite do prvobitnog stanja. Poklopac ostavite otvoren, tako da vazduh može nesmetano i dalje cirkulisati.

Ukoliko ga nećete duže vrijeme koristiti:

- Obavezno zatvorite dovod vode i plina
- Očistite posudu i konzervirajte je uljem

Šta učiniti u slučaju kvara?

Isključite aparat iz struje i nazovite autorizovani servis.

## UPOZORENJE

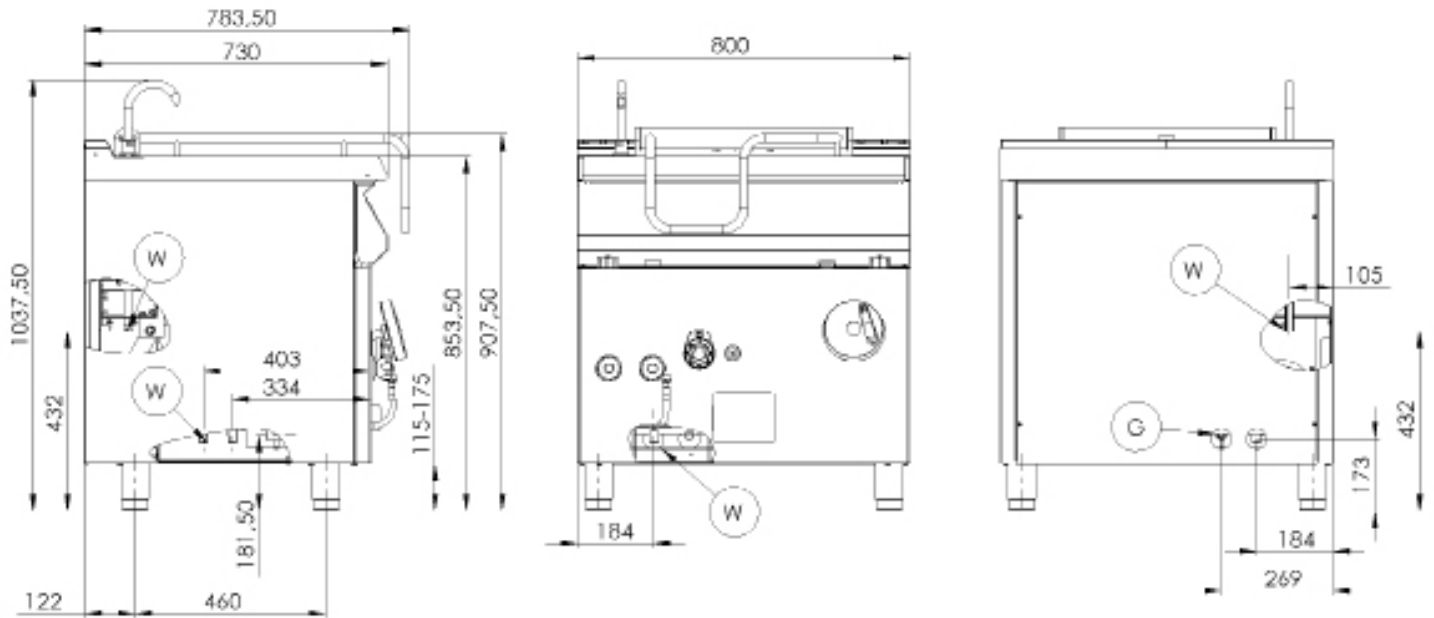
Garancija se ne odnosi na potrošne dijelove (kao što su: gumice, lampice, stakleni i plastični dijelovi...). Garancija se također ne odnosi na uređaj koji nije priključen i instaliran prema uputama, odgovornim serviserom, a prema danim normama. Isto tako, ukoliko su bile napravljene izmjene ili oprave koje nisu predviđene (oprave unutrašnje instalacije) ili ako je uređaj korišten nepoučenim ili neprofesionalnim osobljem, odnosno protivno instrukcijama navedenim u uputstvu za upotrebu. Također, garancija ne vrijedi ukoliko je aparat oštećen vanjskim ili klimatskim uticajima.

**Neophodno je provoditi kontrolu uređaja svakih 6 mjeseci. Tu kontrolu treba da provede autorizovani serviser. U slučaju ne dodržavanja ove preporuke, proizvođač se ograđuje od bilo kakve odgovornosti za štetu na imovini ili zdravlju.**

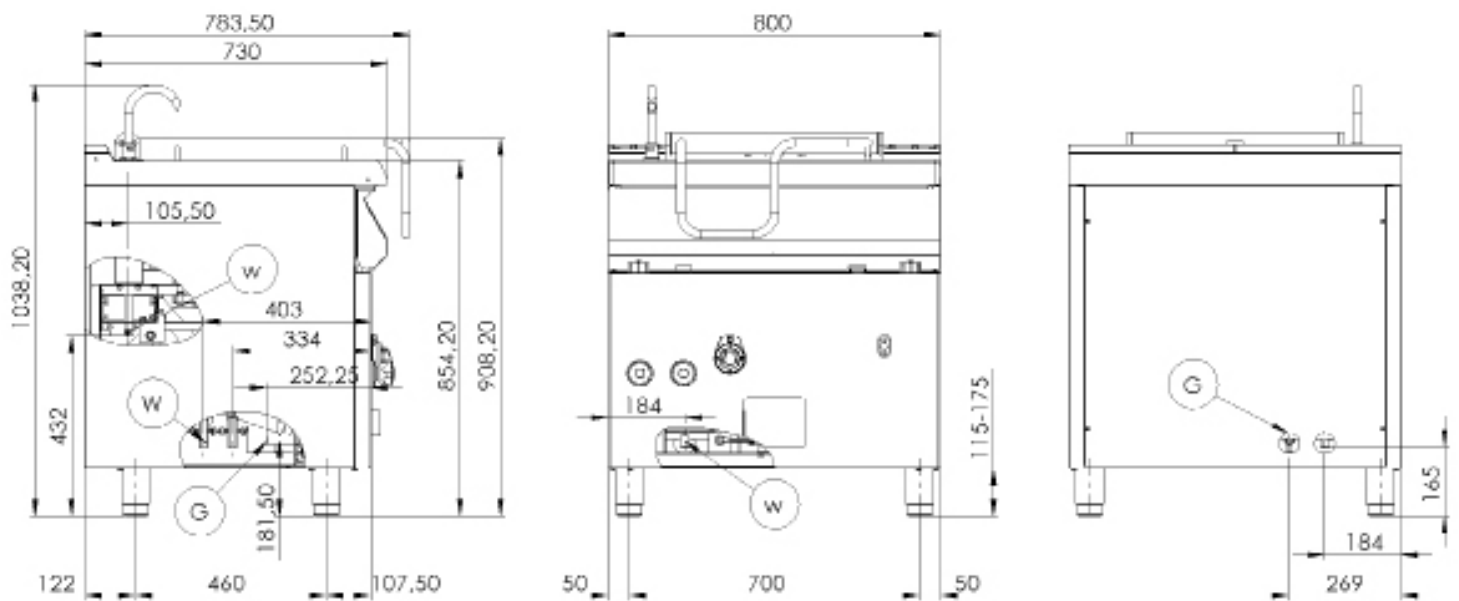
**Ambalažu pakovanja i uređaj poslije kraja njegove upotrebne vrijednosti, predajte na otpad, a to prema danim propisima o likvidaciji.**

# DIMENZIONALNA SLIKA

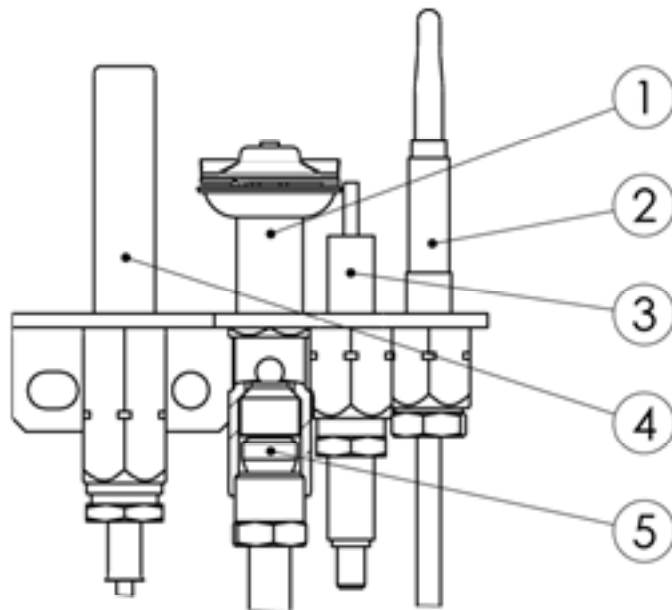
## BR-780 G(/N)



## BRM-780 G(/N)

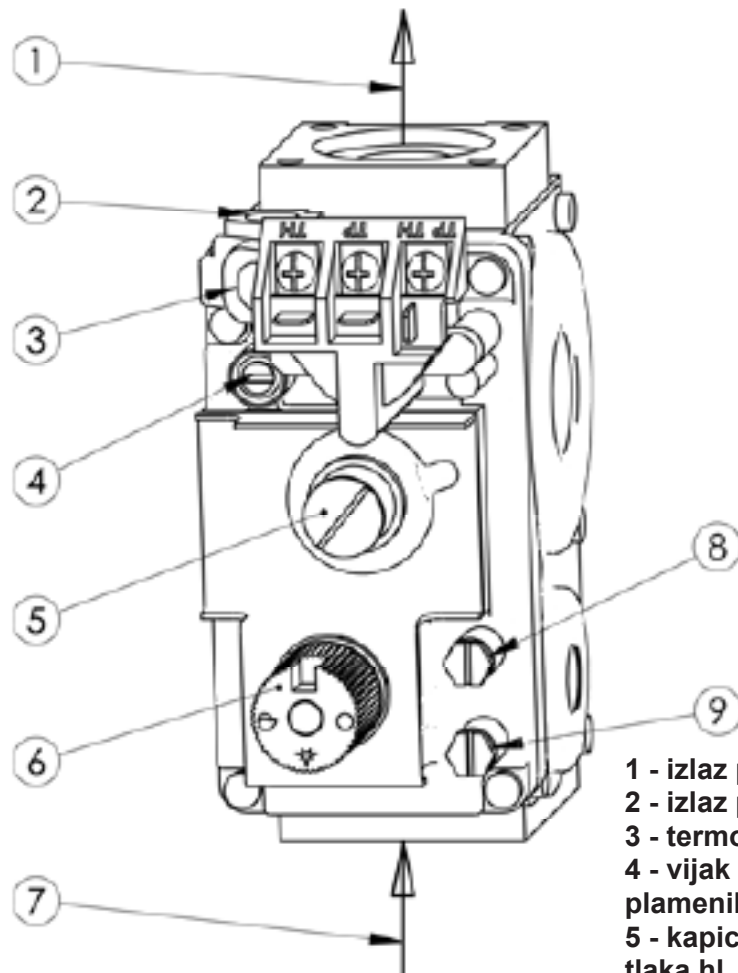


## PILOT PLAMENIK



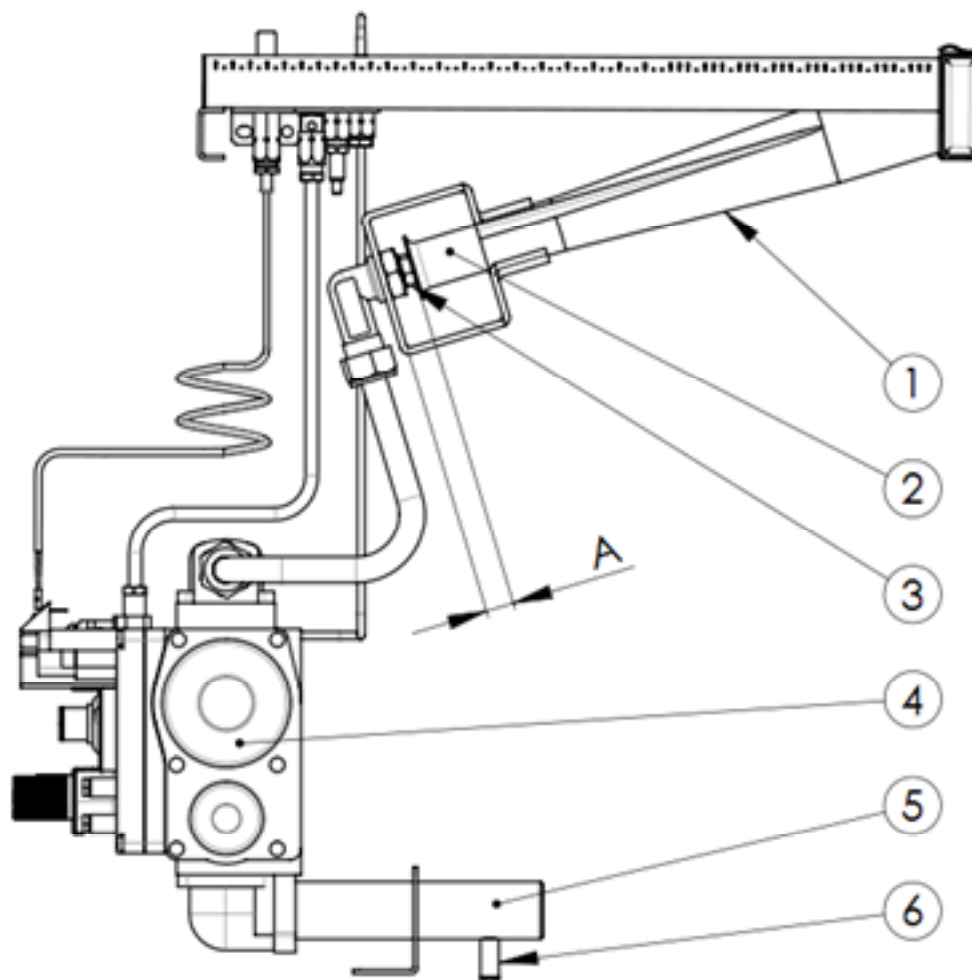
- 1 - Pilot baklja
- 4 - Termoelektrični Pile
- 2 - termopar
- 5 - jet pilot plamenika
- 3 - piezo upaljačem

## PLYNOVÝ VENTIL



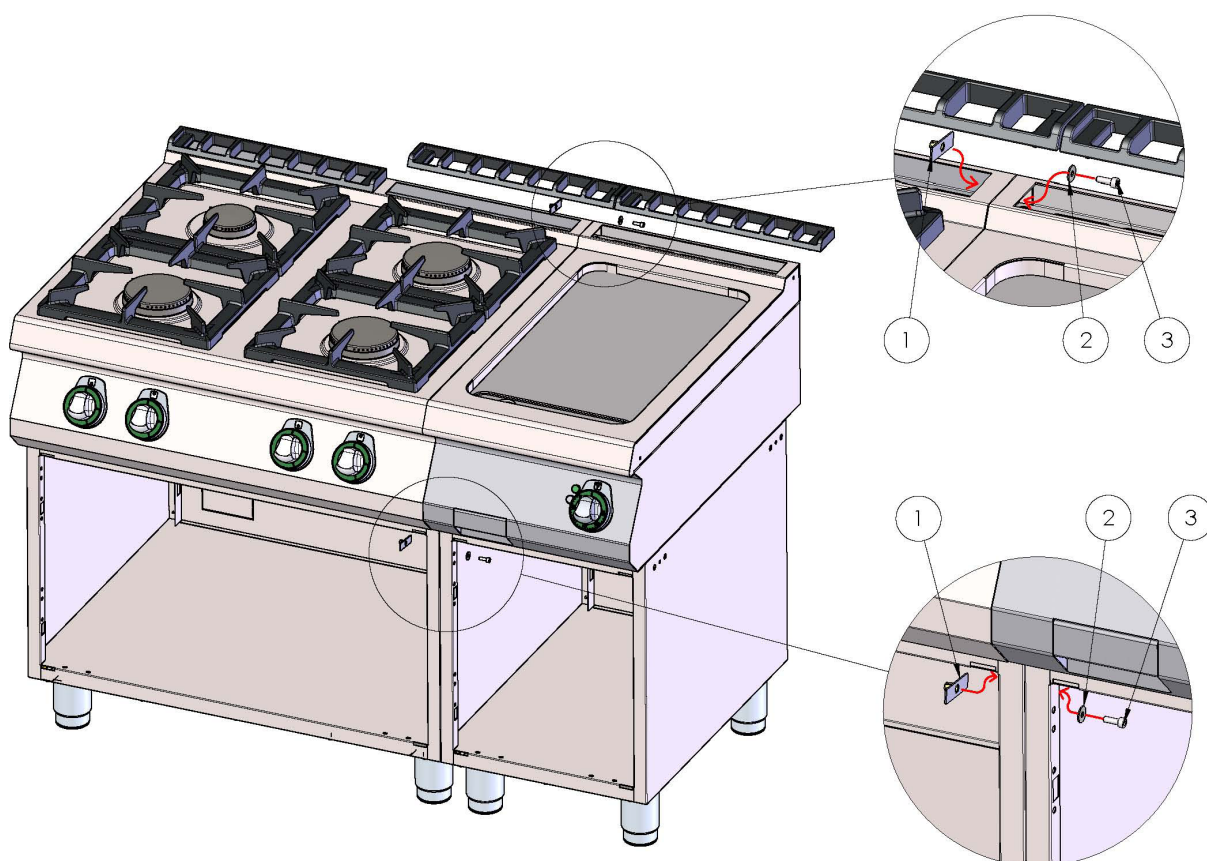
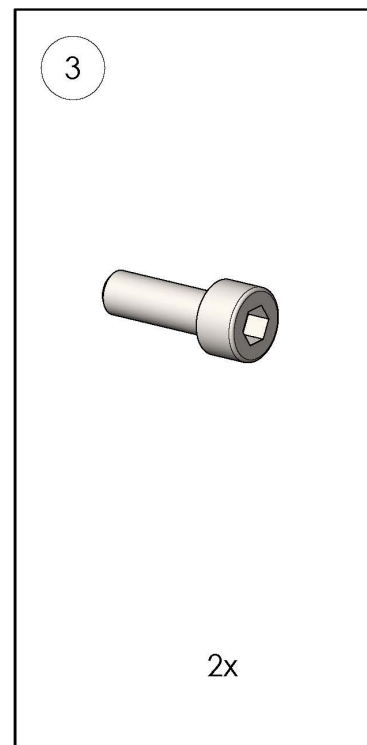
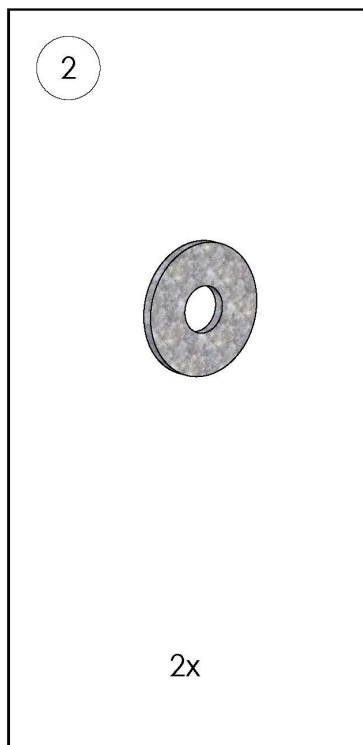
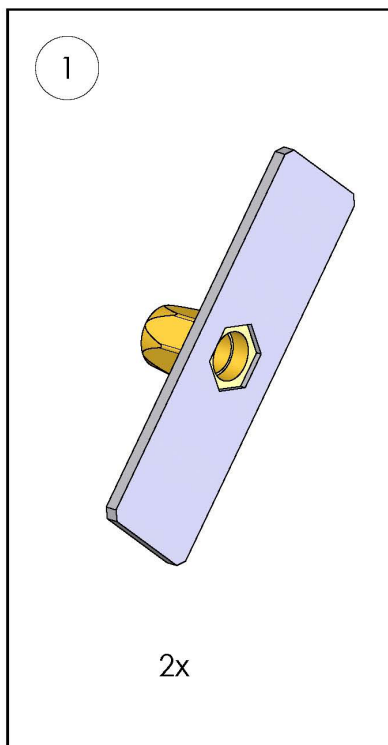
- 1 - izlaz plina na glavni plamenika
- 2 - izlaz plina na pilot plamenika
- 3 - termopar veza
- 4 - vijak za podešavanje snage pilot plamenika
- 5 - kapica za podešavanje regulatora tlaka hl. gorionik
- 6 - drška
- 7 - Plin ulazni
- 8 - Checkpoint za ispuštanje plinova tlaka
- 9 - prijelaz ulazni tlak plina

## PLINSKI VENTIL, MLAZNICE I PLAMENICI



- 1 - glavna plamenika
- 2 - Klima Kontrola
- 3 - mlaznica
- 4 - plinski ventil
- 5 - opskrba plinom
- 6 - prijelaz ulazni tlak plina

# priključak modula



## DECLARAȚIE DE CONFORMITATE CU NORMELE

Producătorul declară că aparatele sunt conforme cu normele 2009/142/ES, 2004/108/ES, 2006/95/ES, cu legea nr. 22/1997 sb., nr. 258/2000 sb., nr. 616/2006 sb., 17/2003 sb. și cu prevederile relevante ale Guvernului. Instalarea trebuie efectuată în conformitate cu normele actuale. Atenție, producătorul nu-și asumă răspundere în cazuri de defecțiuni directe sau indirecte, datorate instalării sau modificărilor incorecte, întreținerii necorespunzătoare, utilizării defectuoase, sau care sunt rezultatul altor cauze decât cele menționate în punctul despre condițiile vânzării. Acest aparat este destinat exclusiv spre utilizare specializată și trebuie deservit de către personal calificat. Piesele, care au fost sigilate de către producător sau un lucrător împuternicit în acest sens nu pot fi remontate

## DATE TEHNICE

Menționăm faptul că echipamentul cu caracteristicile tehnice descrise în prezentul manual nu se încadrează în categoria echipamentelor pentru uz casnic, echipamentul fiind destinat în exclusivitate uzului comercial, de către personal calificat.

Plăcuța cu datele tehnice este amplasată pe partea din spate a aparatului. Înainte de a instala aparatul studiați cu atenție informația de pe aceasta.

Typ	Ridicarea cuvei	Material baza	Volum tigăie (l)	Putere (kW)
BR-780 G	manuală	Fe	50	12
BR-780 G/N	manuală	INOX	50	12
BRM-780 G	electrică	Fe	50	12
BRM-780 G/N	electrică	INOX	50	12

## INFORMAȚII GENERALE PRIVIND BRASIERE - TIGĂI CU GAZ

Brasiere - tigăi cu gaz sunt construite în vederea maximelor randamente, rezistenței și durabilității pentru condiții de lucru cele mai exigente și operare simplă împreună cu întreținere ușoară. Pentru fabricare sunt utilizate piese componente de înaltă calitate.

- Arzător de înaltă putere
- Flacăra și consum de gaz optimizate
- Pereții cuvelor din oțel inoxidabil și bază masivă conducătoare de căldură
- Structură masivă
- Rabatere manuală sau electrică
- Pentru modele basculante alimentarea cu apă direct în cuvă
- Fasonare ergonomică a organelor de comandă
- Fasonare optimizată a suprafeței pentru curățare ușoară
- Operare simplă

## VERIFICAREA AMBALAJULUI ȘI APARATULUI

Aparatul iese din depozitele noastre ambalat în mod regulamente, cu indicarea simbolurilor și însemnelor corespunzătoare. Ghidul de deservire corespunzător se găsește în ambalaj. Dacă ambalajul prezintă semne de manevrare necorespunzătoare sau urme de deteriorare, este necesar de atenționat transportatorul și de a face un proces verbal de deteriorare.

### Avertismente importante

-Produsul este destinat utilizării numai în interior.

Nu folosiți niciodată dispozitivul cu sursa sau cablul de alimentare deteriorate sau dacă nu funcționează corect, a căzut pe jos și s-a deteriorat sau dacă a căzut în apă. În astfel de cazuri duceți dispozitivul la un service specializat pentru a se verifica siguranța și funcționarea corectă

- Acest ghid trebuie citit cu atenție pentru că conține informații importante despre securitate, instalare și utilizare
- Următoarele recomandări se aplică acestui produs
- Produsul este conform cu normele actuale
- Acest ghid trebuie păstrat pentru utilizarea ulterioară
- Împiedicați manipularea aparatului de către copii
- La vânzare sau relocare asigurați-vă că deservirea aparatului va fi efectuată în conformitate cu instrucțiunile din ghidul anexat
- Produsul poate fi deservit doar de către personalul instruit
- Poate fi utilizat doar pentru prepararea produselor alimentare
- Să nu fie lăsat fără supraveghere
- Se recomandă o inspectare specializată minim 1 dată pe an
- În cazul unei reparații piesele trebuie înlocuite doar cu piese de schimb originale
- A nu se curăța produsul cu jet direct de apă sau apă sub presiune
- În caz de defectare sau disfuncție a aparatului se cere de a deconecta orice alimentare (apă, electricitate, gaz) și de apelat la un servis autorizat
- Producătorul nu-și asumă răspundere în cazul defecțiunilor datorate instalării incorecte, nerespectării avertismentelor susmenționate, utilizării în alte scopuri, etc.



# INSTALAREA

Instrucțiuni tehnice pentru instalare și reglare

Destinat DOAR utilizării de către tehnicieni specializați.

Instrucțiunile următoare sunt destinate tehnicianului calificat pentru reparație: Toate operațiunile trebuie să fie efectuate cât mai atent și în conformitate cu normele actuale!!!

## **Important:**

Orice activitate de reglare a aparatului trebuie efectuată după deconectarea acestuia de la rețeaua electrică. Dacă e nevoie de lăsat aparatul sub tensiune, se cere să fie mai atenți!

## **AMPLASAREA**

Pentru asigurarea funcționalității aparatului, spațiul (bucătăria) unde va fi amplasat acesta trebuie să fie bine aerisit (referitor la aceasta: tehnicianul să urmeze normele actuale ale ČSN )

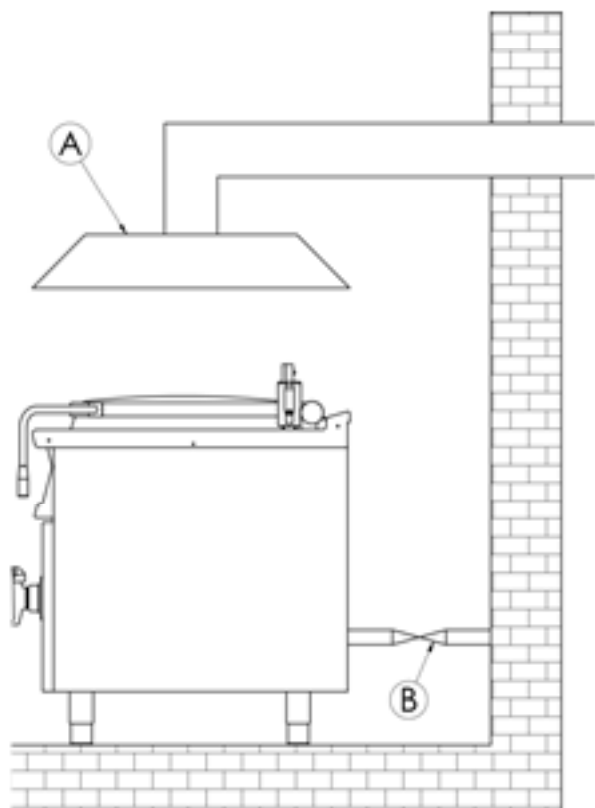
Dacă aparatul e instalat în așa fel încât are contact cu suprafața mobilierului, acestea trebuie să fie rezistente la temperaturi de 60°C. Instalarea, reglarea și darea în exploatare trebuie să fie efectuate de către o persoană calificată, care este autorizată în acest sens și în conformitate cu normele în vigoare.

Despachetați aparatul și verificați dacă nu a fost avariat în timpul transportării. Amplasați aparatul pe o suprafață orizontală (deviere maximă până la 2°). Amplasați aparatul sub hotă ca să fie eliminat mirosul și aburii.

Aparatul poate fi instalat separat sau în serie cu alte produse din gama noastră. Este necesar de a păstra o distanță minimă de 10cm de alte obiecte și de a evita contactul cu obiectele inflamabile. În astfel de cazuri se cere izolarea termică a pieselor inflamabile.

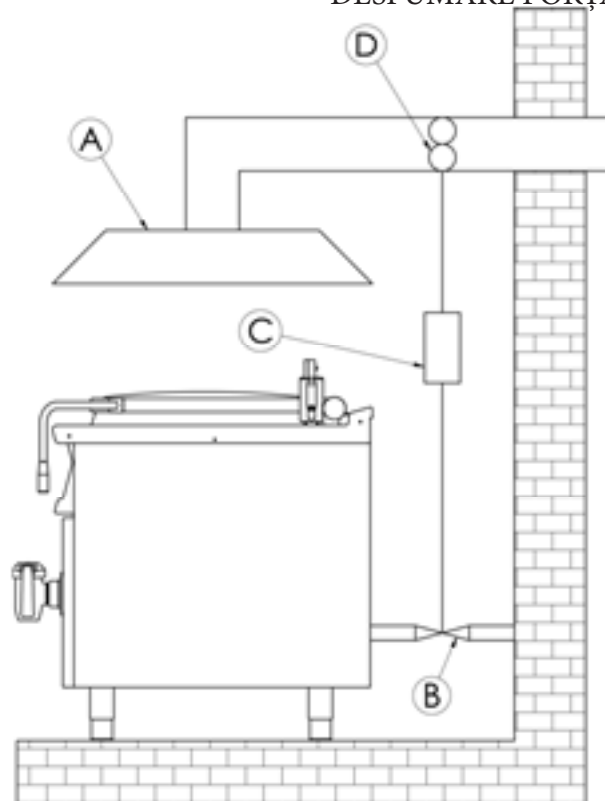
# EVACUAREA GAZELOR DE ARDERE

## DESUFUMARE NATURALĂ



Racordul nișei este într-un corp de coș separat (A). Evacuarea gazelor de ardere este asigurată de tiraj natural al coșului.

## DESUFUMARE FORȚATĂ



Racordul nișei este prevăzut fără desfumare naturală. Evacuarea gazelor de ardere este asigurată cu ajutorul ventilatorului (D), (DESUFUMARE FORȚATĂ). În acest caz este strict necesar a se asigura interconectarea cu admisiunea gazelor (B) pentru oprirea admisiunii gazelor în caz de întrerupere de alimentare.

## CONTROLUL RANDAMENTULUI TERMIC

Consumatoare electrice trebuie să fie controlate pentru a se verifica randamentul lor termic:

Randamentul termic este însemnat pe plăcuța matricolă sau îl puteți regăsi în prezentul manual de instrucțiuni. Întâi de toate, trebuie verificat dacă consumătorul electric este fabricat pentru același tip de gaz care va fi utilizat și prin urmare corespunde cu marcajul de pe plăcuța privind tipul de gaz care va fi utilizat. Pentru transformarea cazanului pentru un alt tip de gaz, trebuie controlat dacă corespunde tipul de gaz marcat cu acela care este recomandat în acest manual.

Pentru transformarea cazanului pentru un alt tip de gaz, trebuie controlat dacă corespunde tipul de gaz marcat cu acela care este recomandat în acest manual. Presiunea se măsoară cu manometru de o necesară sensibilitate. Manometrul se conectează pe locul aferent, de aceea trebuie deșurubat șurubul cu închidere ermetică și conectat manometrul. După încheierea măsurării trebuie înșurubat șurubul înapoi și verificată etanșeitatea.

# MĂSURI DE SECURITATE DIN PUNCT DE VEDERE AL PROTECȚIEI ÎMPOTRIVA INCENDIILOR CONFORM CSN EN 061008 ȚL. 21:

- Deservirea aparatului trebuie să fie asigurată de către persoane mature
  - Aparatul poate fi utilizat fără pericol în condiții obișnuite conform EN 332000-1
  - Aparatul trebuie amplasat în așa fel încât să fie fixat pe un suport neinflamabil
- Se interzice amplasarea obiectelor inflamabile pe aparat, precum și în apropierea acestuia la distanțe mai mici decât cele recomandate (distanța minimă recomandată este de 10cm)
- Distanțele sigure față de obiectele inflamabile și informațiile despre gradul de combustibilitate a materialelor de construcție sunt indicate în tabel

## Tabel:

Gradul de combustibilitate a materialelor de construcție ( EN 730823 ) după substanțe și produse

A neinflamabil	granit, var, beton, cărămidă, gresie ceramică, tencuiala
B greu inflamabile	placă fibrolemnoasă, fibre minerale
C1 dificil inflamabil	Lemn, foioase, hârtie întărită, placaj
C2 mediu inflamabil	plăci aglomerate din aşchii de lemn, plăci din plută, cauciuc, pardoseala din PVC
C3 ușor inflamabil	plăci fibrolemnoase, polistiren, poliuretan, PVC

Aparatul trebuie instalat într-un mod sigur. În timpul instalării trebuie respectate prevederile de siguranță, proiectare și igienă în conformitate cu:

- EN 06 1008 securitatea de incendiu a dispozitivelor locale și surselor de căldură
- EN 33 2000 mediul înconjurător pentru aparate electrice (33 2000-4-42; 33 2000-4-482)

## ȚEAVA PENTRU GAZ:

Aparatul poate fi alimentat cu gaz doar prin țeavă din oțel zincat, cupru sau țeavă flexibilă din oțel și în conformitate cu normele în vigoare. Fiecare aparat trebuie dotat cu un robinet pentru conducta de gaz, ca să fie posibilă oprirea imediată a alimentării cu gaz. După instalarea dispozitivului trebuie verificate eventualele scurgeri de gaze. Să nu verificați scurgerile cu o sursă deschisă de foc, folosiți materiale ce nu generează coroziune. Puteți folosi, de exemplu, o soluție de apă cu săpun. Aparatele au fost verificate de către producător, detalii despre tipul gazului, presiune și tipul aparatului le veți găsi pe plăcuța cu caracteristici.

### Racordare la gaz lichid:

Presiunea pentru racordarea la sursă de gaz lichid trebuie să fie de 28 sau 30 mbar pentru propan butan și de 37 mbar pentru propan. Trebuie verificată plăcuța matricolă, măsurată presiunea și controlați parametrii duzei instalate cu parametrii duzei solicitați conform cerințelor fabricantului. Dacă presiunea este mai mică decât 25 mbar sau mai mare decât 37 mbar, CONSUMĂTORUL NU POATE FI RACORDAT

### Racordare la gaz metan:

Presiunea pentru racordarea la sursă de metan trebuie să fie de 18 sau 20 mbar. Trebuie controlată plăcuța matricolă măsurată presiune și controlați parametrii duzei instalate cu parametrii solicitați ai duzei conform cerințelor fabricantului/ Dacă presiunea este mai mică decât 15 mbar sau mai mare decât 22,5 mbar CONSUMĂTORUL NU POATE FI RACORDAT

## INSTRUCȚIUNI PENTRU ADAPTAREA LA ALT TIP DE GAZ:

Aparatele sunt reglate și verificate pentru gaz petrol lichid (vezi plăcuța aparatului). Adaptarea lui la un alt tip de gaz poate fi efectuată doar de către o persoană calificată, duzele pentru alte tipuri de gaz sunt incluse în ambalajul cu ghidul de utilizarea.

### **Înlocuirea duzei:**

Pentru înlocuirea duzei trebuie demontat panoul frontal, după slăbirea șurubului M5 se va introduce reglarea aerului și cu cheia 13 se va deșuruba duza existentă și se va înșuruba cea nouă. După aceea, reglarea aerului trebuie ajustată la o nouă valoare. Dimensiunile pentru tipul de gaz respectiv sunt prezentate în tabela cu date tehnice ale arzătoarelor. Prin urmare trebuie înlocuită duza arzătorului pilot. Cu cheia 10 se demontează tubul de alimentare la arzător pilot și se împinge spre afară. Între capătul tubului și arzător pilot este amplasată duza. După înlocuirea acesteia și montajul tubului de alimentare înapoi, trebuie verificată etanșeitatea racordului.

### **Reglajul presiunii:**

Presiune se măsoară cu manometru de o adecvată sensibilitate. După deșurubarea șurubului, un manometru cu închizător ermetic se conectează în locul relevant. Șurubul de reglare a presiunii este accesibil după demontarea acoperii. Presiunea se reglează la valoarea prezentată în tabela cu date tehnice ale arzătoarelor. După încheierea măsurărilor, trebuie înșurubat șurubul înapoi și verificată etanșeitatea.

### **Important:**

După readaptarea aparatului modificați datele de pe plăcuța aparatului

Verificarea funcționării aparatului:

- Verificați eventualele scurgeri de gaze
- Verificați aprinderea și flacăra arzătorului principal
- Verificați flacăra arzătorului și la flacăra redusă (econom)
- Testați dacă flacăra atinge termoelementul și e albastră
- Se recomandă ca în timpul folosirii aparatului utilizatorul să se ghideze după actualul ghid

## RACORDAREA LA REȚEAUA DE ALIMENTARE CU APĂ

Racordarea la rețeaua de alimentare cu apă se execută cu ajutorul furtunului de alimentare cu filet G1/2. Conectarea se face după înlăturarea panoului frontal. Tubul de intrare a apei trebuie să fie prevăzut cu închizător separat care este liber accesibil și în apropierea aparatului. O parte din instalația este valva de întoarcere - reținător.

- Duritatea apei trebuie să fie în interval de la 0,5 până la 5° grade franceze. Asupra acestei valori trebuie utilizat agent de dedurizare.
- Presiunea apei trebuie să fie în interval de la 50 până la 250kPa.
- Conținutul de clor în apă nu va depăși 10ppm, altfel există pericol de deteriorarea suprafeței cuvei.
- Aciditatea apei trebuie să fie de peste 7 pH.
- Conductibilitate electrică: 50 - 2000uS/cm(20°C)
- Conectarea trebuie să fie în conformitate cu EN 1717 și cu reglementări naționale în vigoare pentru economia apelor.

## CONECTAREA CABLULUI ELECTRIC LA REȚEA

Instalarea alimentării cu electricitate: conexiunea trebuie asigurată de sine stătătoare cu o siguranță corespunzătoare și în funcție de tensiunea aparatului instalat. Tensiunea aparatului poate fi verificată pe plăcuța producătorului din partea din spate a aparatului. Conectați aparatul direct la rețea și plasați un întrerupător între aparat și rețea, respectând distanța minimă de 3mm între contacte, și care să corespundă cu normele în vigoare și cu sarcina de lucru. Firul de împământare (galben-verzui) nu trebuie afectat de acest întrerupător.

În orice caz cablul de alimentare trebuie amplasat în așa fel încât temperatura lui să nu depășească în nici un loc cu 50 de grade pe cea a mediului înconjurător. Înainte de a conecta aparatul la rețea asigurați-vă că:

- Siguranța alimentării și distribuția internă vor rezista la sarcina aparatului (vezi plăcuța)
- Conductoarele sunt împământate corespunzător, conform normelor (ČSN) și prevederilor legale
- Priza sau întrerupătorul alimentării sunt ușor accesibile

Nu ne asumăm nici un fel de răspundere în cazul nerespectării acestor norme și în cazul încălcării principiilor enunțate mai sus.

Înainte de prima utilizare îndepărtați folia protectoare de pe aparat și curățați-l așa cum scrie în capitolul „curățare și întreținere“.



-Nu introduceți stecherul de alimentare în priză cu mâinile ude și nici nu o scoateți trăgând de sursa de alimentare!

-Nu folosiți cabluri prelungitoare sau prize multiple.

# GHID DE UTILIZARE

## Atenție!

Înainte de a începe utilizarea aparatului, trebuie îndepărtate folii de protecție de pe toate suprafețele din tablă de oțel inoxidabil și apoi spălate bine cu apă și detergent pentru spălarea vaselor, inclusiv cuva, și după aceea șterse cu o textilă înmuiată în apă curată. Cuvă ștergeți cu o ștergătoare până la uscat, baza cuvei ungeți cu ulei de masă și executați o ardere bazei la o temperatură de 230°C. Înainte de a găti, trebuie executată coacerea bazei. Optim este de a se prăji în tigaia timp de circa 3 - 5 zile și abia după aceea să fie folosită pentru fierbere. În cazul în care s-a executat curățarea tigăii cu chimicale, înainte de fierbere este recomandabil a se executa din nou circa 4 - 6 cicluri de prăjire. Aparatul nu va fi utilizat, în nici un fel de circumstanțe, ca o friteusă sau o substituție a acesteia!! Coacerea cuvei se manifestă printr-o altă tentă de culoare care este un efect normal și nu reprezintă nicio defecțiune.

Nu uitați că după introducerea în lichid al alimentelor de gătit, nivelul se ridică

## Aprinderea arzătorului principal

Varianta cu aprindere piezoelectrică:

Deplasați ușă din stânga jos a panoului frontal și rotiți butonul de comandă a supapei de gaz în poziția de aprindere (fig. 2, coment. 3 și fig. 6) și mențineți-l apăsat. Apăsați în câteva rânduri butonul de aprindere piezoelectrică. După aprinderea arzătorului, mențineți butonul apăsat încă timp de câteva secunde (circa 10 - 20 secunde), până ce se încălzește siguranța termică, după aceea eliberați butonul. Dacă flacăra se stinge, reluați tot procedeu.

## Aprinderea arzătorului principal și reglarea temperaturii

Rotiți butonul de comandă a supapei de gaz în poziția pentru aprinderea arzătorului principal (fig. 6) și pe butonul de reglare termostatului de operare ajustați temperatura solicitată. Se va produce aprinderea arzătorului principal.

## Dezactivarea arzătorului principal

Arzător principal poate fi dezactivat fie prin ajustarea butonului de reglare a termostatului de operare la „0”, fie rotind butonul de comandă a supapei de gaz în poziția pentru aprindere. Arzătorul principal se stinge întotdeauna și continuă să ardă doar arzătorul pilot.

## Dezactivarea întregului aparat

Butonul de comandă a supapei de gaz puneți în poziția Oprit. Se va produce stingerfea tuturor arzătoarelor.

## Umplerea cu apă a cuvei

Deschideți robinetul pentru umplerea cuvei și după încărcarea cantității necesare îl închideți din nou. Apă încărcăți numai având capacul cuvei deschis. Nu se va completa apă în instalația conectată, având ulei în cuvă.

## Descărcarea conținutului din cuvă

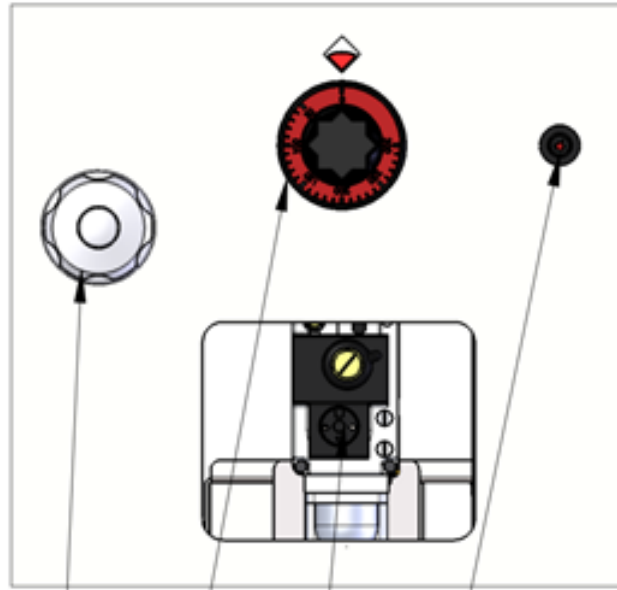
Cu ajutorul volantului de manipulare rabateți tigaia în poziția necesară pentru descărcare. **ATENȚIE!** Înainte de descărcarea cuvei, puneți sub preaplinul un vas potrivit. Respectați maximă precauție pe timpul manipulării cu conținutul fierbinte. În poziția de înclinare maximă, cuvă se va descărca total. După golirea cuvei, o întoarceți în poziția de lucru.

## ATENȚIE!

La ridicarea cuvei se va stinge arzătorul principal și la coborârea înapoi se va aprinde din nou, de aceea orice manipulare a cuvei executați cu arzătorul dezactivat.

**! În caz de prăjire, temperatura uleiului să nu depășească temperatura de 230 °C !**

## OPERARE - COMANDĂ

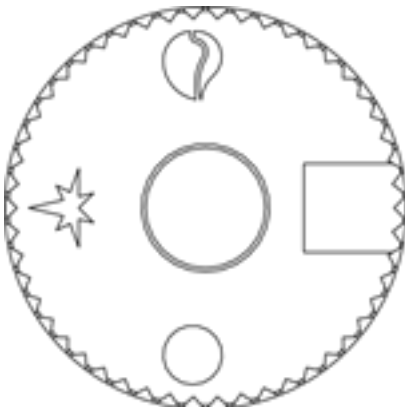


1 - umplere cu apă

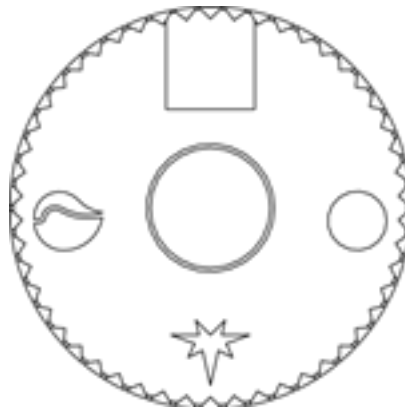
2 - comanda termostat de operare

3 - comanda supapa de gaz

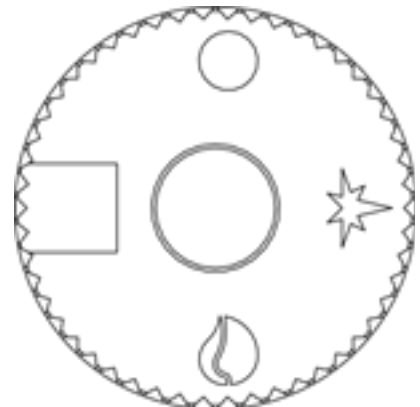
4 - aprindere piezoelectrică



poziția de oprire



poziția de aprindere



poziția de aprindere arz. principal

## CURĂȚARE ȘI ÎNTREȚINERE

Este recomandat de a inspecta aparatul, cel puțin o dată pe an, de către un servis specializat. Orice intervenții asupra aparatului pot fi operate doar de către o persoană calificată, autorizată în acest sens.

### ATENȚIE!!!

Este interzisă curățarea aparatului sub jetul de apă sau apă sub presiune. Curățați aparatul zilnic. Întreținerea zilnică prelungește eficiența și funcționalitatea aparatului. Înainte de a curăța aparatul, asigurați-vă că acesta este deconectat de la rețeaua electrică. Întotdeauna să opriți alimentarea principală a aparatului. Părțile de inox curățați-le cu o cârpă umedă cu soluție de săpun și fără particule tari, iar uscați-le prin ștergere. Nu folosiți soluții de curățat abrazive sau corozive. Înlăturați toate resturile de mâncare de pe suprafața de lucru, posibil și cu ajutorul unui șpaclu.

Suprafața interioară a tigăii curățăm cu ștergător din plastic sau cu burete și detergenți curenți (a nu se utiliza obiecte metalice). Stratul subțire de culoare mai închisă de pe fundul tigăii nu îndepărtați fără rost, căci formează un strat de protecție a suprafeței. După spălarea, fundul tigăii din nou îngrijiiți cu ulei de masă. După curățarea cuvei, repuneți toate în poziția inițială. Capacul lăsați deschis, încât aerul să poată circula în vasul

-Dacă aparatul nu va fi folosit pentru o perioadă lungă de timp:

-Neapărat închideți admisiunea apei și a gazelor

-Dacă aparatul nu va fi folosit pentru o perioadă lungă de timp, curățați cuva și conservați baza cu ulei

Procedeu în caz de disfuncție a aparatului

Opriți alimentarea cu electricitate și apelați servisul vânzătorului.

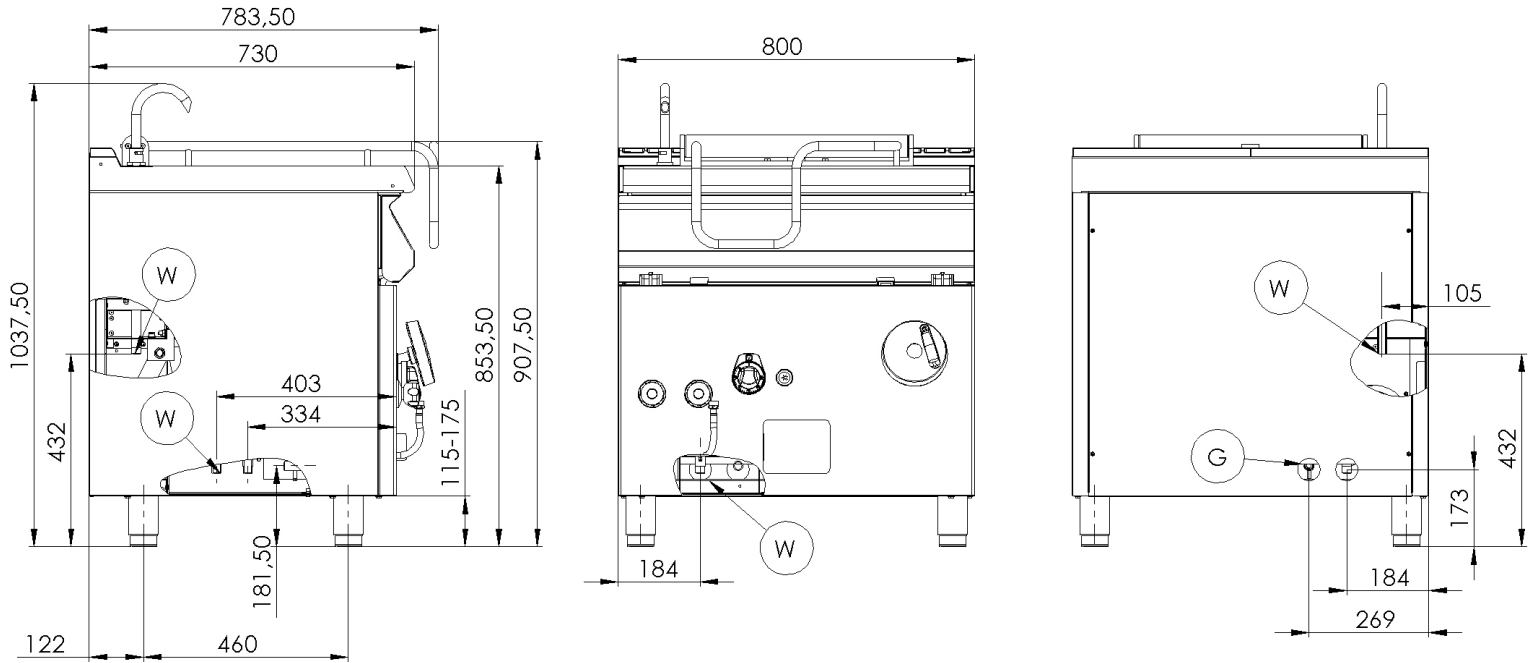
### ATENȚIONARE

Garanția nu acoperă piesele consumabile care se uzează prin utilizare (garniturile din cauciuc, becurile, părțile din plastic și sticle, etc.). De asemeni garanția nu se aplică aparatelor a căror instalare a fost efectuată contrar normelor (de către o persoană autorizată conform normelor în vigoare) și nici în cazul manipulării defectuoase (intervenții în interiorul aparatului etc.) sau dacă a fost deservit de către personal neinstruit și contrar ghidului de utilizare. Garanția nu se aplica defectelor datorate efectelor naturii sau forței majore.

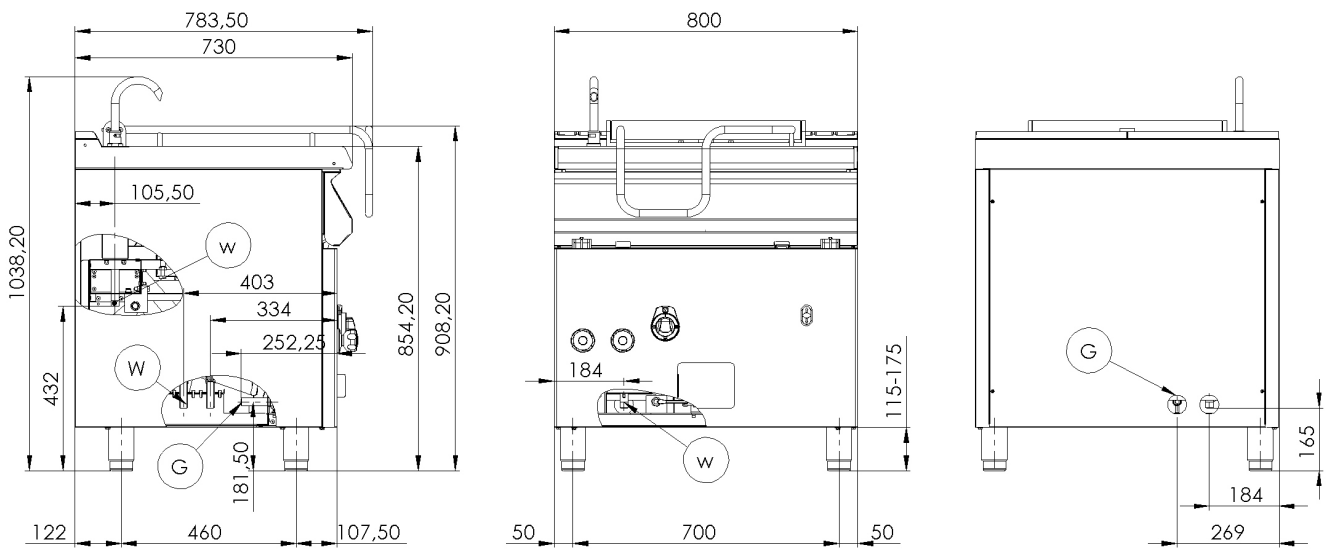


# DIMENSIONALĂ SCHIȚĂ

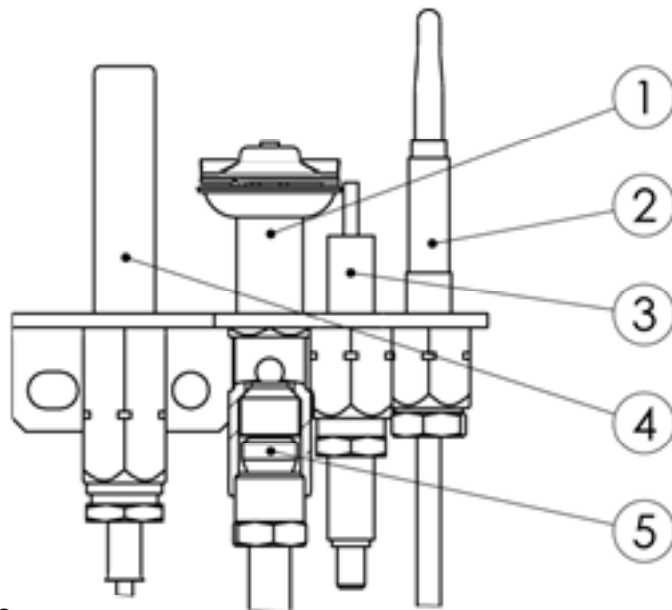
BR 780 G(G/N)



BRM780 G(G/N)

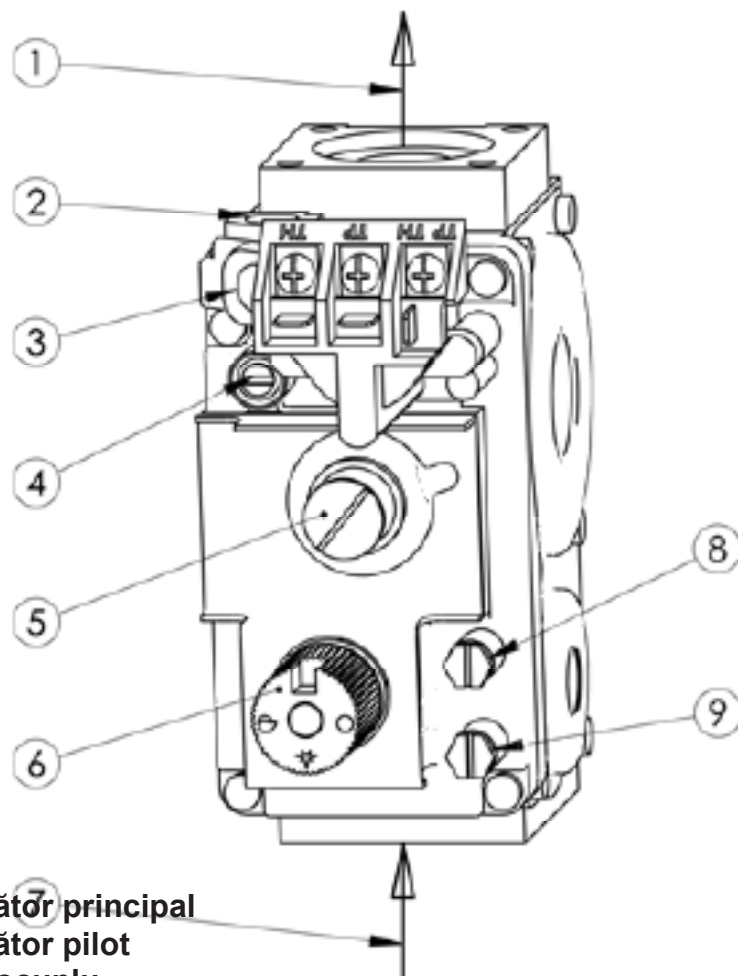


## ARZĂTOR PILOT



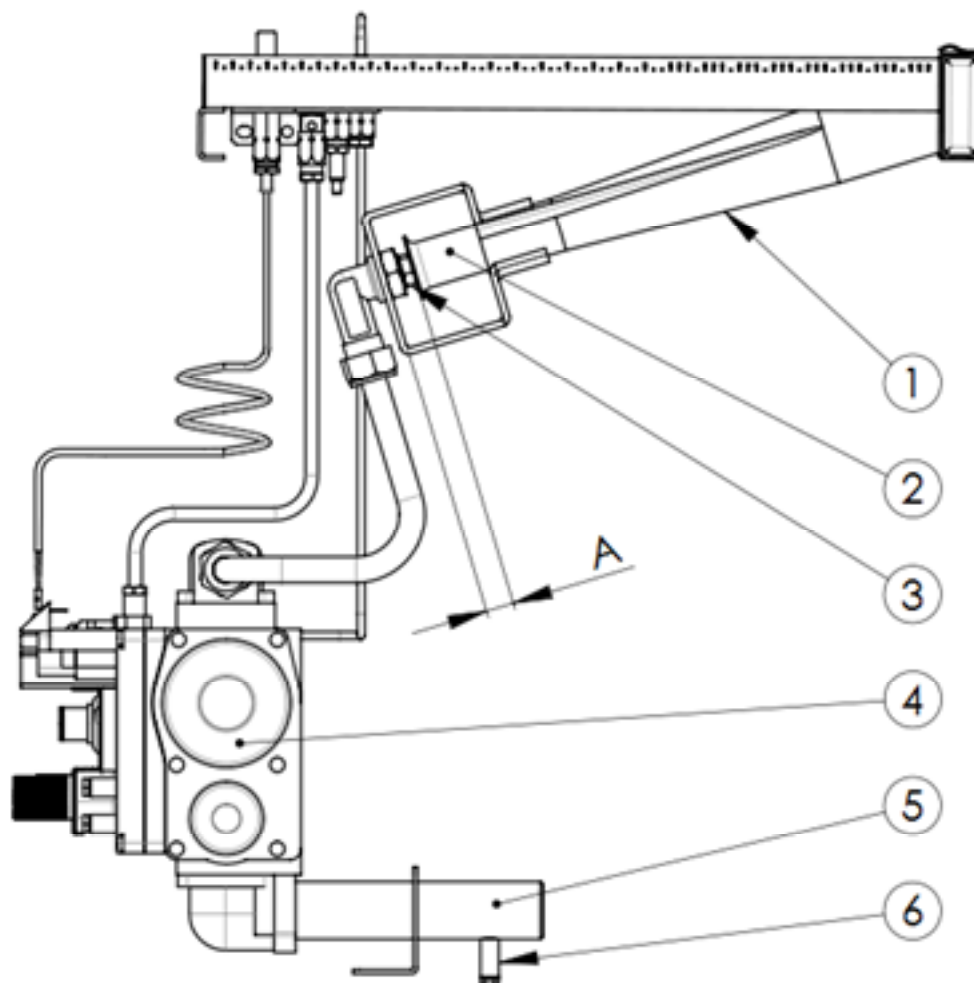
- 1- arzător pilot
- 2- termocuplu
- 4 - termobaterie
- 3 - piezo
- 5 - duza de arzător pilot

## ADMISIUNE GAZ

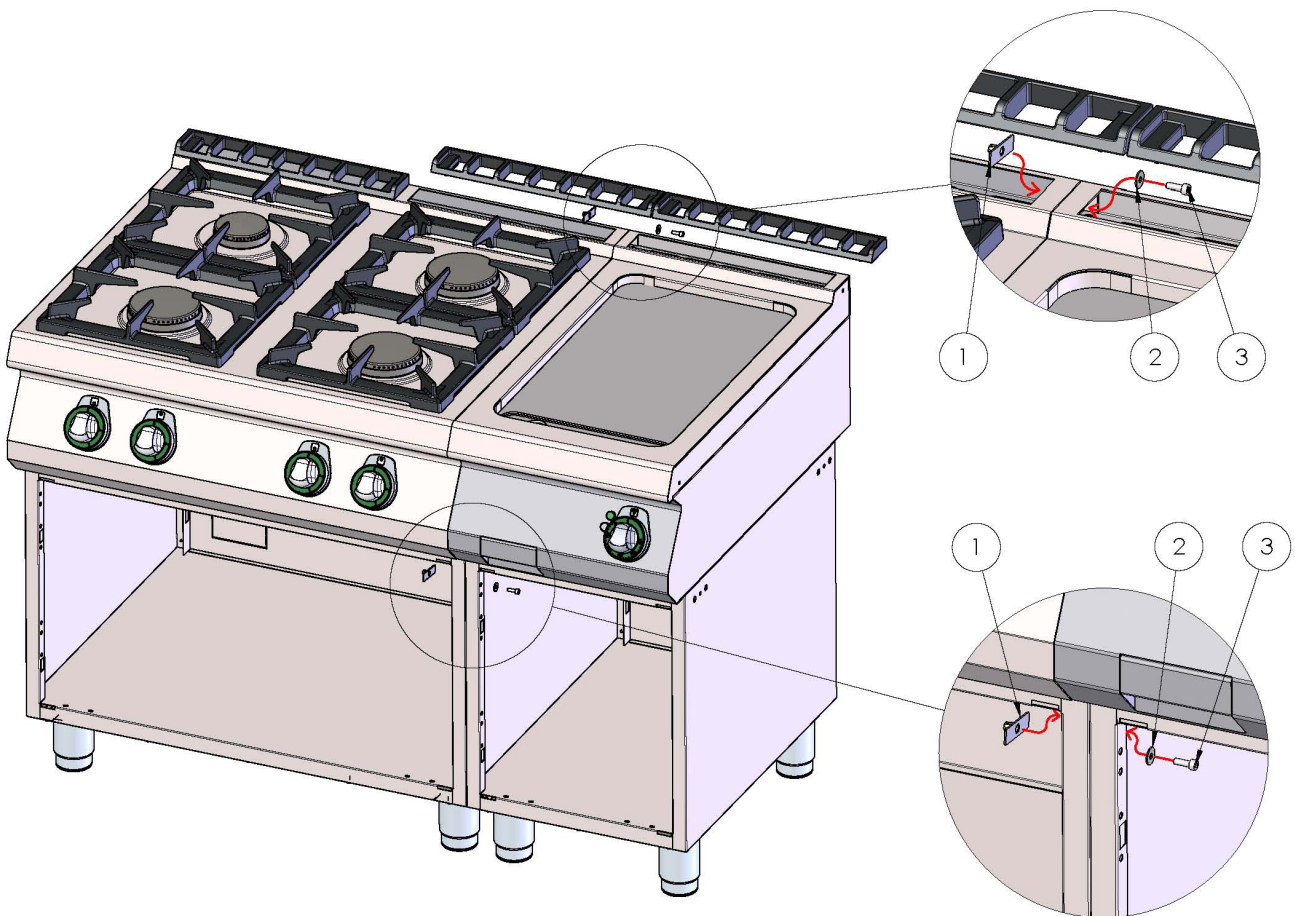
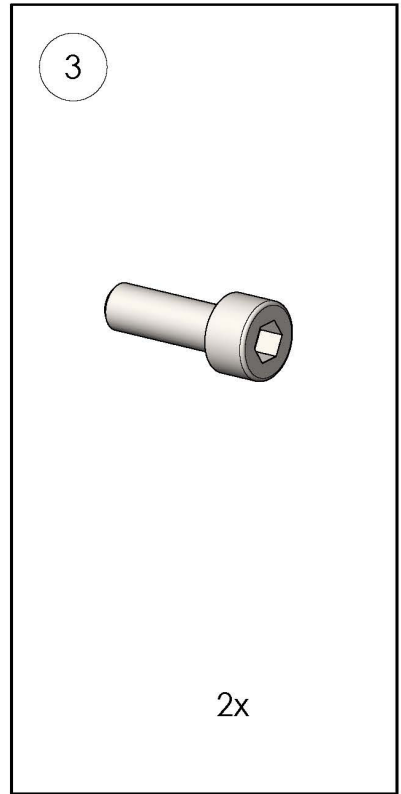
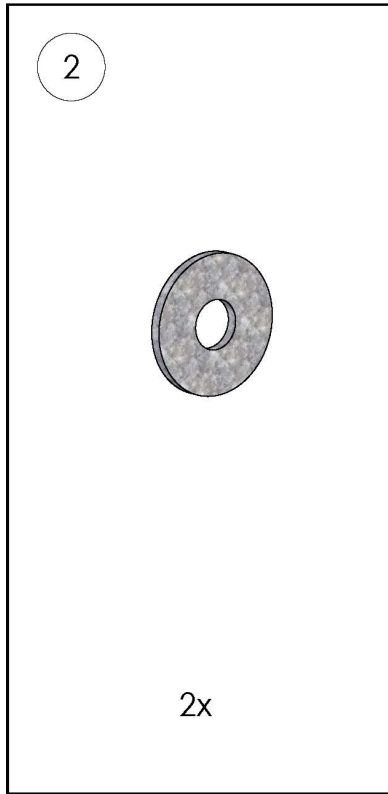
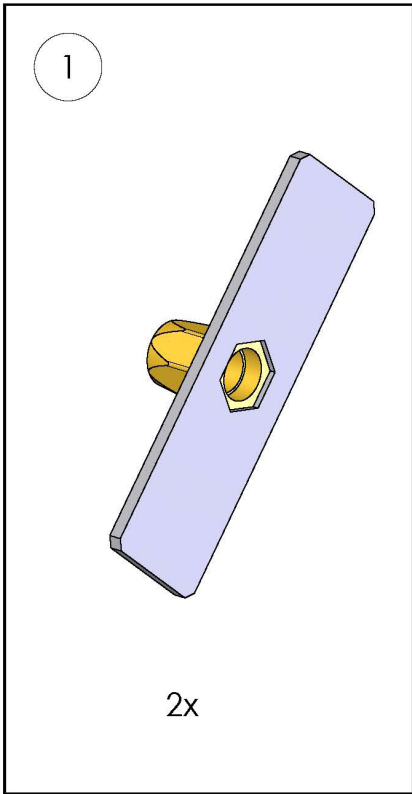


- 1- ieșire gaz la arzător principal
- 2- ieșire gaz la arzător pilot
- 3 - conectare termocuplu
- 4 - șurubul de reglare putere arzător pilot
- 5 - acoperire reglajul de regulator de presiune a arzătorului principal
- 6 - buton de comandă
- 7 - intrare gaz
- 8- punct de cotrol presiune de ieșire a gazului
- 9 - punct de cotrol presiune de intrare a gazului

## ADMISIUNE GAZ



- 1 - arzător principal
- 2 - reglarea aer
- 3 - duza
- 4 - supapa de gaz
- 5 - admisiune gaz
- 6 - punct de cotrol presiune de intrare gaz



## List of service organizations:

**CZ: RM GASTRO CZ s. r. o.**, Náchodská 818/16, Praha 9

Tel. +420 281 926 604, [info@rmgastro.cz](mailto:info@rmgastro.cz), [www.rmgastro.cz](http://www.rmgastro.cz)

**SK: RM Gastro Slovakia**, Rybárska 1, Nové Město nad Váhom

Tel.: +421 32 7717061, [obchod@rmgastro.sk](mailto:obchod@rmgastro.sk), [www.rmgastro.sk](http://www.rmgastro.sk)

**PL: RM GASTRO Polska Sp. z o. o.**, ul. Skoczowska 94, 43-450 Ustroń

Tel.: +33 854 73 26, [www.rmgastro.pl](http://www.rmgastro.pl)